

# CHICAGO FAUCETS.

2100 South Clearwater Drive  
Des Plaines, IL 60018  
Phone: 847-803-5000  
Fax: 847-803-5454  
www.chicagofaucets.com

Geberit Group

**FOR TECHNICAL ASSISTANCE**  
1-800-TEC-TRUE (1-800-832-8783)

## ROUGH-IN

BY: JAR      DATE: 11-11-22  
CHK: *JAR*      REV:

FITTING NO.

SP4017KJKNF

SUBMITTED MODEL NO.

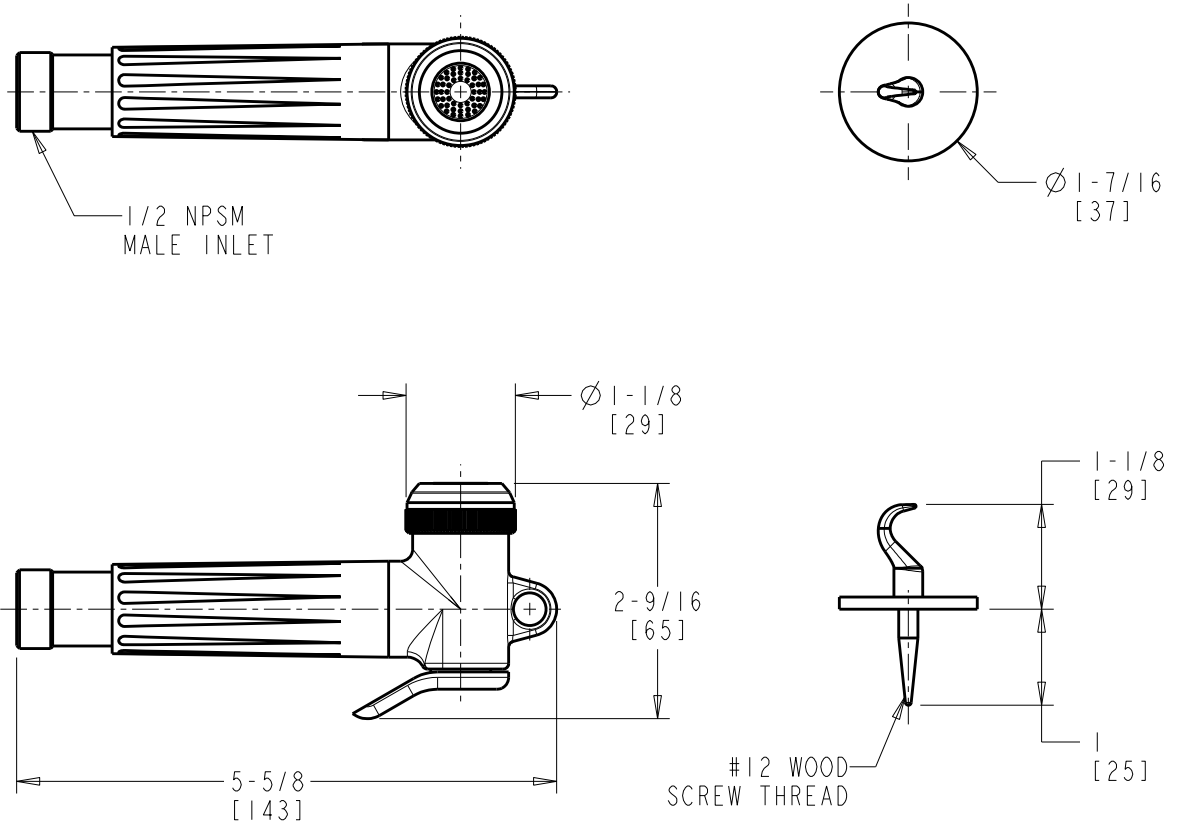
SUBMITTED AS SHOWN

SUBMITTED AS NOTED

SEE ATTACHED FOR  
SUBMITTED MODIFICATION

JOB NAME

ITEM NO.



DIMENSIONS ARE IN INCHES AND [MILLIMETERS].

### TECHNICAL DATA

- HAND SPRAY FITTING FOR 442-83044CP
- ON OFF TRIGGER OPERATION
- 2.56 GPM AT 30 PSI, 3.17 GPM AT 45 PSI
- 3.72 GPM AT 60 PSI, 4.36 GPM AT 80 PSI
- INCLUDES WALL HOOK
- FINISH: CHROME WITH WHITE HANDLE

### NOTE:

- SEPARATE SHUT OFF VALVE REQUIRED WHEN INSTALLING THIS ITEM
- WATER MUST BE TURNED OFF WHEN NOT IN USE

ROUGHING IN DIMENSIONS MAY VARY AND ARE SUBJECT TO CHANGE. NO RESPONSIBILITY IS ASSUMED FOR USE OF SUPERCEDED OR VOIDED DATA.