



2100 SOUTH CLEARWATER DRIVE
DES PLAINES, ILLINOIS 60018-5999

FITTING NO.

E3-2

SUBMITTED MODEL NO.

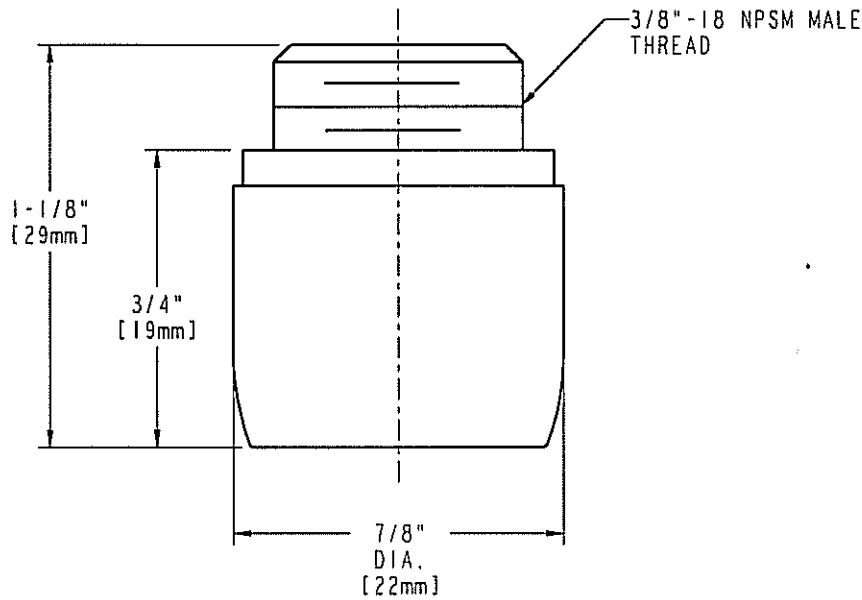
JOB NAME

ITEM NO.

SUBMITTED AS SHOWN

SUBMITTED AS NOTED

SEE ATTACHED FOR
SUBMITTED MODIFICATION



DIMENSIONS IN INCHES AND [MILLIMETERS].

TECHNICAL DATA

- SOFTFLO AERATOR FITS GROUP B TYPE SPOUTS
- 2.2 GPM (8.3 L/min.) MAX. FLOW RATE
- K2 ADAPTER
- FINISH: CHROME PLATE

DATE: 10-19-04

BY: JAR

CHK'D:

APP'D: *AT*

REV: A

E3-2

ROUGHING IN DIMENSIONS MAY VARY AND ARE SUBJECT TO CHANGE. NO RESPONSIBILITY IS ASSUMED FOR USE OF SUPERCEDED OR VOIDED DATA.