

ROUGHING IN DIMENSIONS MAY VARY AND ARE SUBJECT TO CHANGE. NO RESPONSIBILITY IS ASSUMED FOR USE OF SUPERCEDED OR VOIDED DATA. (0192-1)



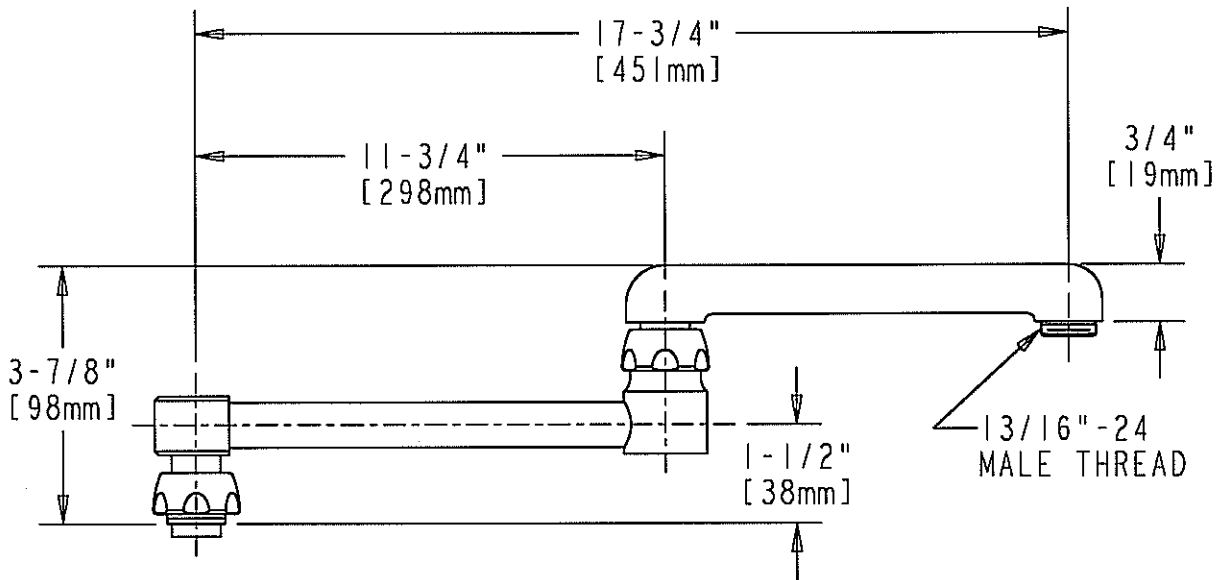
2100 SOUTH CLEARWATER DRIVE
DES PLAINES, ILLINOIS 60018-5999

FITTING NO.
DJ18LESSE3
SUBMITTED MODEL NO.

JOB NAME

ITEM NO.

SUBMITTED AS SHOWN	
SUBMITTED AS NOTED	
SEE ATTACHED FOR SUBMITTED MODIFICATION	



DIMENSIONS IN INCHES AND [MILLIMETERS].

TECHNICAL DATA

- DOUBLE JOINTED SWING SPOUT
- FINISH: CHROME OR BRASS

DATE: 2-11-97
BY: TSW
CHK'D: *AT*
APP'D:
REV:

DJ18LESSE3