



a Geberit company

2100 South Clearwater Drive
Des Plaines, IL 60018
Phone: 847-803-5000
Fax: 847-803-5454
www.chicagofaucets.com

FOR TECHNICAL ASSISTANCE
1-800-TEC-TRUE (1-800-832-8783)

ROUGH-IN

BY: SID DATE: 01-09-15
CHK: *AR* REV:

FITTING NO.

9800-124CP_SCHEDULE

SUBMITTED MODEL NO.

SUBMITTED AS SHOWN

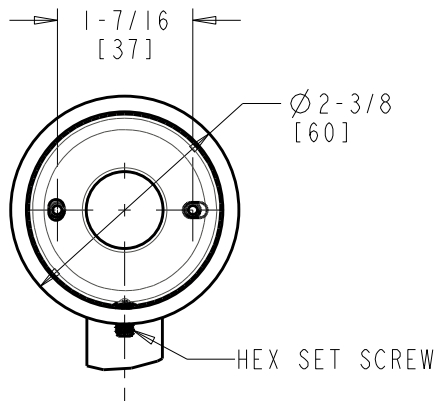
SUBMITTED AS NOTED

SEE ATTACHED FOR
SUBMITTED MODIFICATION

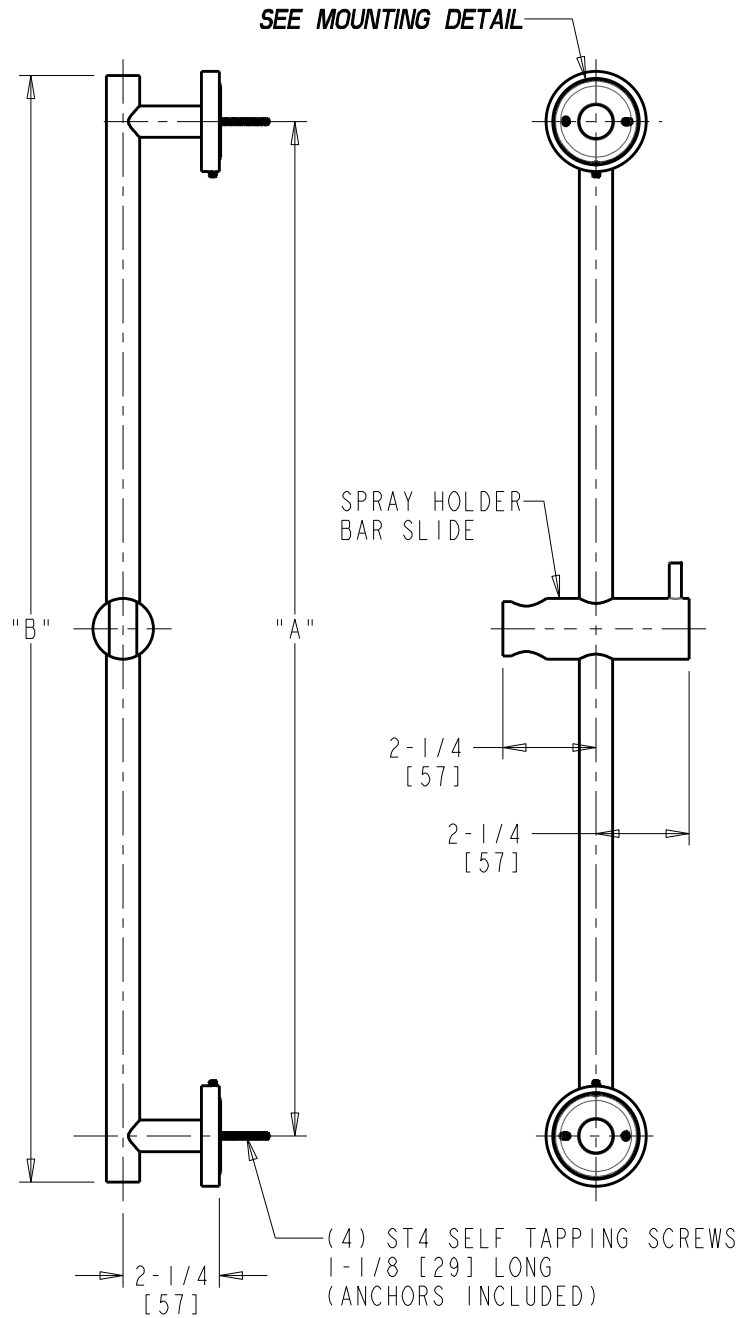
JOB NAME

ITEM NO.

SCHEDULE		
PART NUMBER	"A"	"B"
9800-124CP	24 [610]	26-1/4 [666]
9800-148CP	48 [1220]	50-1/4 [1276]



MOUNTING DETAIL
(2 PLACES)



DIMENSIONS ARE IN INCHES AND [MILLIMETERS].

TECHNICAL DATA

- SEE SPECIFICATION SHEET

ROUGHING IN DIMENSIONS MAY VARY AND ARE SUBJECT TO CHANGE. NO RESPONSIBILITY IS ASSUMED FOR USE OF SUPERCEDED OR VOIDED DATA.