

# CHICAGO FAUCETS®



*Last As Long As The Building*

2100 SOUTH CLEARWATER DRIVE  
DES PLAINES, ILLINOIS 60018-5999

FITTING NO.

336-403K

SUBMITTED MODEL NO.

JOB NAME

ITEM NO.

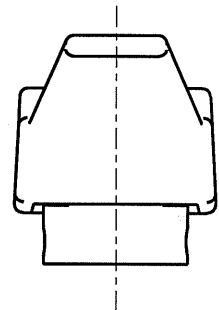
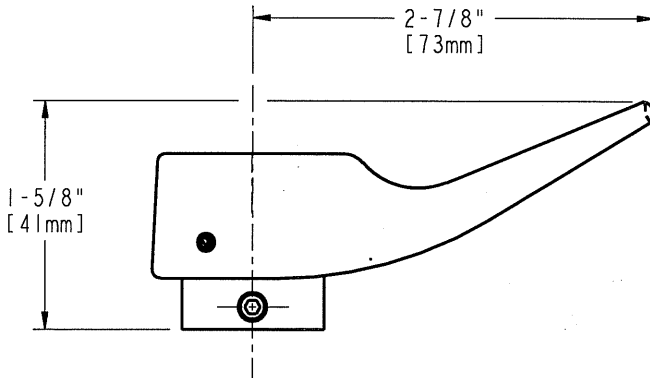
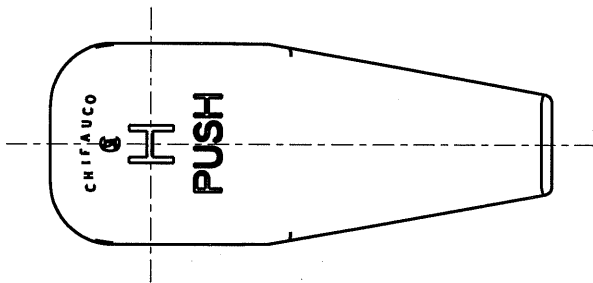
SUBMITTED AS SHOWN

SUBMITTED AS NOTED

SEE ATTACHED FOR  
SUBMITTED MODIFICATION



ADA COMPLIANT



DIMENSIONS IN INCHES AND [MILLIMETERS].

TECHNICAL DATA

- LARGE PUSH TILT HANDLE
- 3-1/2" LENGTH
- ALL METAL CONSTRUCTION

DATE: 2-5-03

BY: JAR

CHK'D: *[Signature]*

APP'D:

REV: A

336-403K

ROUGHING IN DIMENSIONS MAY VARY AND ARE SUBJECT TO CHANGE. NO RESPONSIBILITY IS ASSUMED FOR USE OF SUPERCEDED OR VOIDED DATA.