



2100 South Clearwater Drive
Des Plaines, IL 60018
Phone: 847-803-5000
Fax: 847-803-5454
www.chicagofaucets.com

FOR TECHNICAL ASSISTANCE
1-800-TEC-TRUE (1-800-832-8783)

ROUGH-IN

BY: JAR DATE: 10-12-22
CHK: *JAR* REV:

FITTING NO.

243.799.00.1

SUBMITTED MODEL NO.

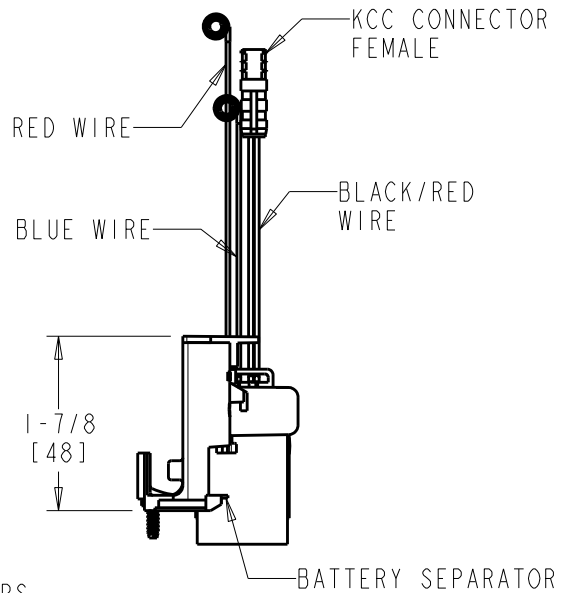
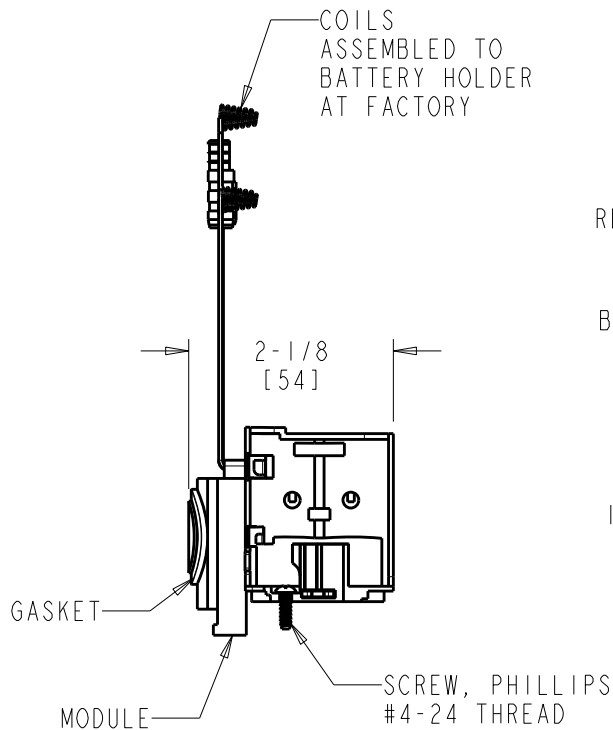
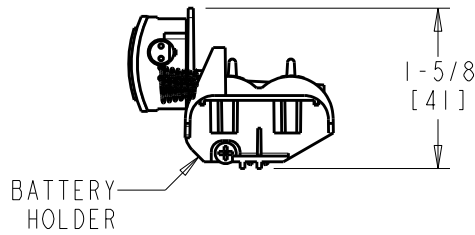
SUBMITTED AS SHOWN

SUBMITTED AS NOTED

SEE ATTACHED FOR
SUBMITTED MODIFICATION

JOB NAME

ITEM NO.



DIMENSIONS ARE IN INCHES AND [MILLIMETERS].

TECHNICAL DATA

- HYTRONIC MODULE KIT
- PRE-PROGRAMMED FOR HYGIENE FLUSH
- OPERATES THE FAUCET FOR 10 SECONDS EVERY 2 HOURS TO REMOVE STAGNANT WATER IN SUPPLY LINES
- FINISH: NO FINISH

ROUGHING IN DIMENSIONS MAY VARY AND ARE SUBJECT TO CHANGE. NO RESPONSIBILITY IS ASSUMED FOR USE OF SUPERCEDED OR VOIDED DATA.