



2100 SOUTH CLEARWATER DRIVE
DES PLAINES, ILLINOIS 60018-5999

FITTING NO.

1222-KJK

SUBMITTED MODEL NO.

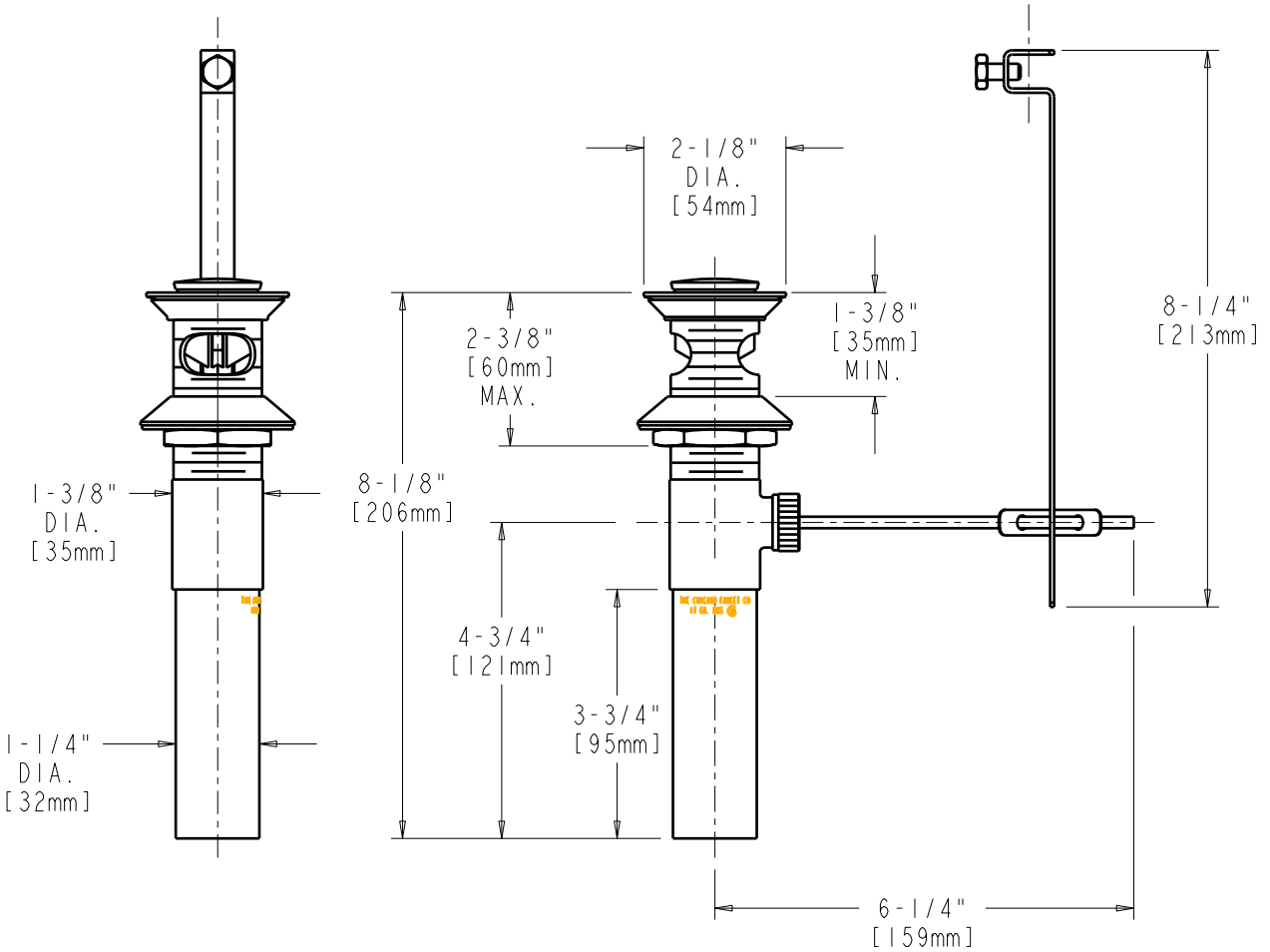
JOB NAME

ITEM NO.

SUBMITTED AS SHOWN

SUBMITTED AS NOTED

SEE ATTACHED FOR
SUBMITTED MODIFICATION



TECHNICAL DATA

- POP-UP WASTE DRAIN
- FINISH: CHROME PLATE

- ASME A112.18.1M COMPLIANT
- CSA B125 COMPLIANT

DATE: 06-29-07

BY: SID

CHK'D:

APP'D: *[Signature]*

REV:

1222-KJK

ROUGHING IN DIMENSIONS MAY VARY AND ARE SUBJECT TO CHANGE. NO RESPONSIBILITY IS ASSUMED FOR USE OF SUPERCEDED OR VOIDED DATA.