



2100 SOUTH CLEARWATER DRIVE
DES PLAINES, ILLINOIS 60018-5999

FITTING NO.

GN8BFCJK

SUBMITTED MODEL NO.

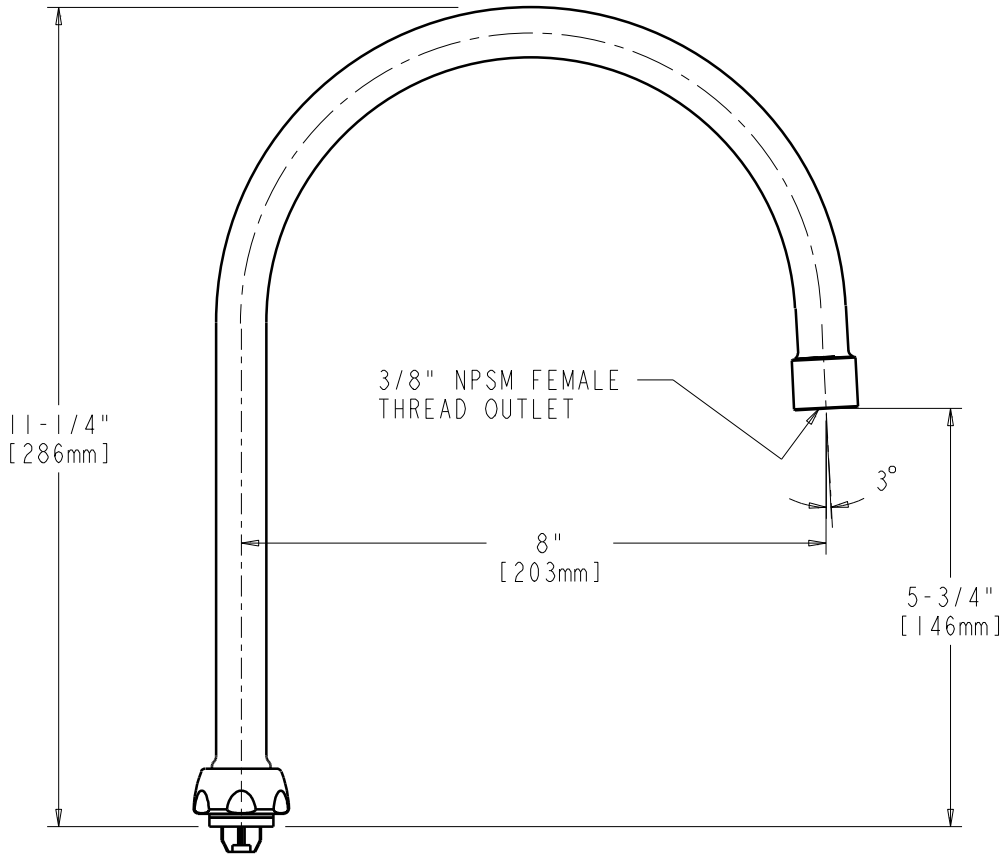
JOB NAME

ITEM NO.

SUBMITTED AS SHOWN

SUBMITTED AS NOTED

SEE ATTACHED FOR
SUBMITTED MODIFICATION



TECHNICAL DATA

- RIGID/SWING GOOSENECK SPOUT
- FLOW CONTROL IN SPOUT
- 1.6 GPM [6.0 L/min] MAXIMUM FLOW RATE
- FINISH: CHROME PLATE OR AS SPECIFIED

DATE: 08-06-07

BY: SID

CHK'D:

APP'D: *[Signature]*

REV:

GN8BFCJK

ROUGHING IN DIMENSIONS MAY VARY AND ARE SUBJECT TO CHANGE. NO RESPONSIBILITY IS ASSUMED FOR USE OF SUPERCEDED OR VOIDED DATA.