



2100 South Clearwater Drive
Des Plaines, IL 60018
Phone: 847-803-5000
Fax: 847-803-5454
www.chicagofaucets.com

FOR TECHNICAL ASSISTANCE
1-800-TEC-TRUE (1-800-832-8783)

ROUGH-IN

BY: SID DATE: 05-02-18
CHK: *JM* REV:

FITTING NO.

E64VPJKABCP

SUBMITTED MODEL NO.

SUBMITTED AS SHOWN

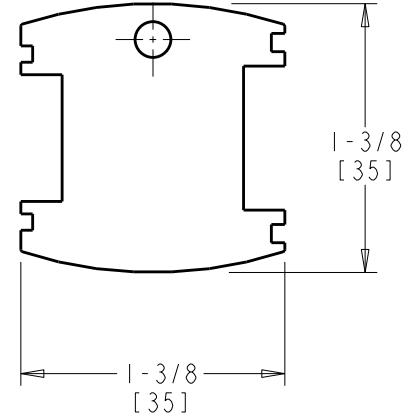
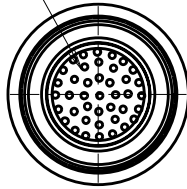
SUBMITTED AS NOTED

SEE ATTACHED FOR
SUBMITTED MODIFICATION

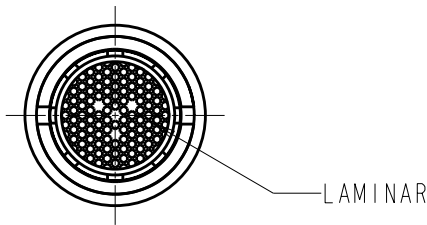
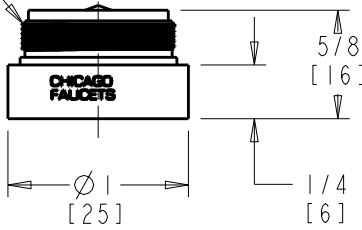
JOB NAME

ITEM NO.

INSERT: 1.0 GPM LAMINAR
DOME COLOR: WHITE WITH
BLUE RING



1/316-27 MALE THREAD
FOR WIDESPREAD AND
CENTERSSET FAUCETS



DIMENSIONS ARE IN INCHES AND [MILLIMETERS].

TECHNICAL DATA

- VANDAL PROOF PRESSURE COMPENSATING LAMINAR
- FLOW NON-AERATING OUTLET
- 1.0 GPM [3.8 L/min.] MAXIMUM FLOW RATE
- VANDAL PROOF OUTLET KEY INCLUDED
- FINISH: CHROME PLATE

- ASME A112.18.1/CSA B125.1 COMPLIANT

ROUGHING IN DIMENSIONS MAY VARY AND ARE SUBJECT TO CHANGE. NO RESPONSIBILITY IS ASSUMED FOR USE OF SUPERCEDED OR VOIDED DATA.