

900-Series Lab Fittings

981-909CAGCP

Product Type

Deck-mounted laboratory turret with two valves at 180°

Features & Specifications

- Includes built-in check
- Laboratory nozzle with 10 serrations for laboratory hose and built-in check valve to prevent backflow
- Complies with the requirements of the Buy American Act of 1933.

Performance Specification

- Rated Operating Pressure: by service (maximum)_x000D_ - Acetylene (7.25 PSI)_x000D_ - Ammonia (7.25 PSI)_x000D_ - Argon (7.25 PSI)_x000D_ - Butane (7.25 PSI)_x000D_ - Carbon Dioxide (7.25 PSI)_x000D_ - Carbon Monoxide (7.25 PSI)_x000D_ - Helium (7.25 PSI)_x000D_ - Hydrogen (7.25 PSI)_x000D_ - Natural Gas (7.25 PSI)_x000D_ - Methane (7.25 PSI)_x000D_ - Nitrogen (7.25 PSI)_x000D_ - Propane (7.25 PSI)_x000D_ - Air (125 PSI)_x000D_ - Compressed Air (125 PSI)_x000D_ - Cold Water (125 PSI)

Warranty

- 5-Year Limited Faucet Warranty
- Lifetime Limited Faucet Warranty
- 1-Year Limited Finish Warranty
- 5-Year Limited Mechanical Warranty

Codes & Standards



Job Name _____

Item Number _____

Section/Tag _____

Model Specified _____

Architect _____

Engineer _____

Contractor _____

Submitted as Shown

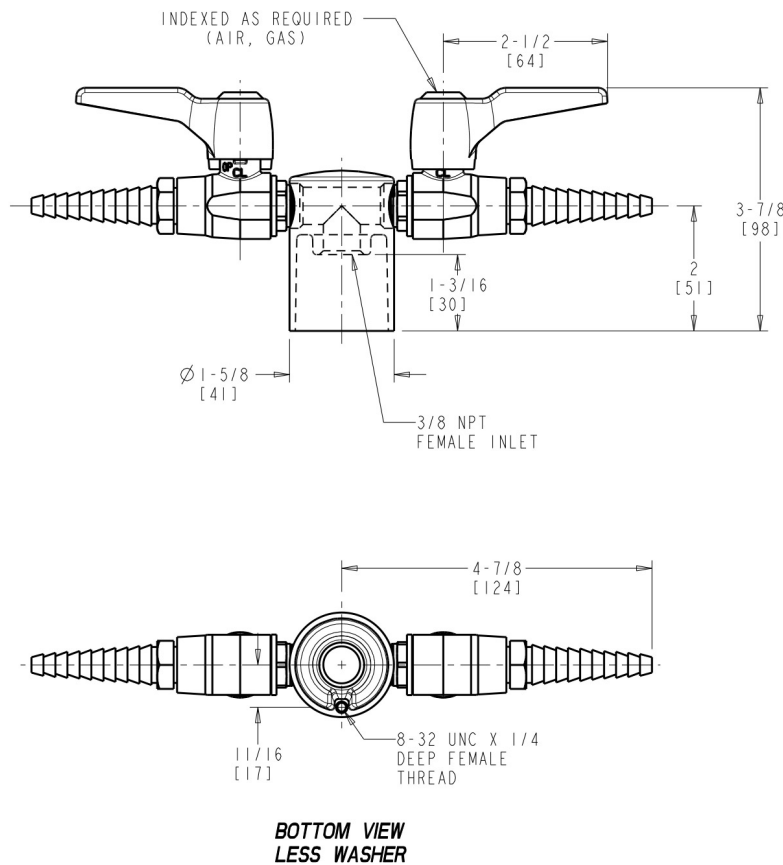
Submitted with Variations

Date _____



Architect/Engineer Specification

Chicago Faucets No. 981-909CAGCP, Dual Ball Valves with Turret and Check, deck-mounted, valves mounted at 180°. Chrome plated. Serrated, full-flow laboratory nozzle. 3/8" NPT female thread inlet. May be used with most laboratory gases. 909 Valve is Certified for Gas Service per ANSI Z21.15b-2006/CSA 9.1b-2006 by the Canadian Standards Association.



Operation and Maintenance

Installation should be in accordance with local plumbing codes. Flush all pipes thoroughly before installation. After installation, remove spout outlet or flow control and flush faucet thoroughly to clear any debris. Care should be taken when cleaning the product. Do not use abrasive cleaners, chemicals or solvents as they can result in surface damage. Use mild soap and warm water for cleaning and protecting the life of Chicago Faucet products. For specific operation and maintenance refer to the installation instructions and repair parts documents that are located at www.chicagofaucets.com.

Chicago Faucets, member of the Geberit Group, is the leading brand of commercial faucets and fittings in the United States, offering a complete range of products for schools, laboratories, hospitals, office buildings, food service, airports and sport facilities. Call 1.800.TECTRUE or 1.847.803.5000 Option 1 for installation or other technical assistance.

