

Accessories & Parts

99TF

Product Type

Triple Force™ low-flow pre-rinse spray valve

Features & Specifications

- Water conserving pre-rinse spray valve
- 3/4"-14 UNS Male Thread Inlet
- 0.91 / 0.99 GPM @ 60 PSI

Warranty

- 5-Year Limited Mechanical Warranty

Codes & Standards

-  ASME A112.18.1/CSA B125.1

Job Name _____

Item Number _____

Section/Tag _____

Model Specified _____

Architect _____

Engineer _____

Contractor _____

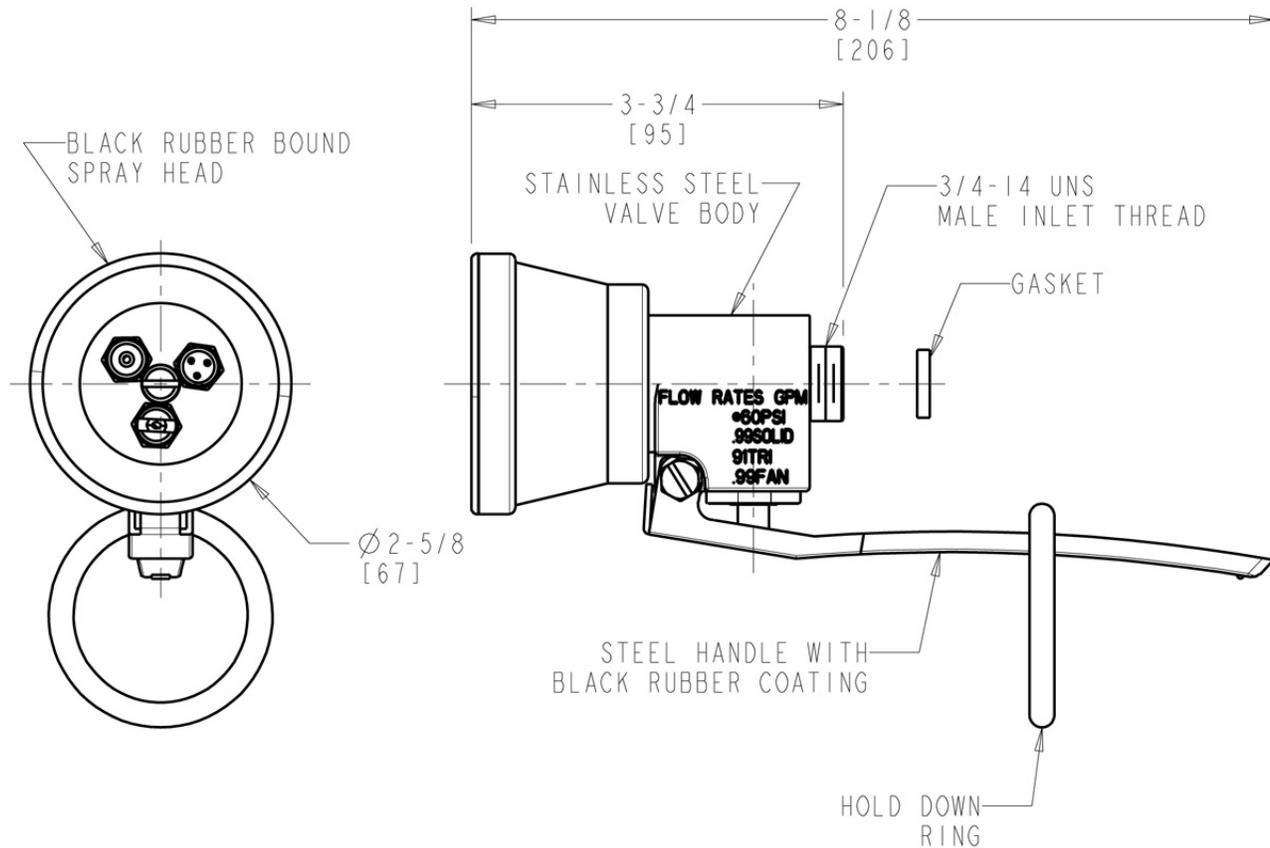
Submitted as Shown Submitted with Variations

Date _____



Architect/Engineer Specification

Chicago Faucets No. 99TF, Triple-Force, No Water Conserving Pre-Rinse Spray Valve, 0.91 / 0.99 GPM @ 60 PSI. Stainless steel nozzle body. Rotating rubber nose cone. Three stainless steel tips for choice of three spray patterns: 15-degree fan spray (0.99 gpm @ 60 PS). 3/4" - 14 UNS male thread inlet. Compatible with Fisher and T&S hoses.



Operation and Maintenance

Installation should be in accordance with local plumbing codes. Flush all pipes thoroughly before installation. After installation, remove spout outlet or flow control and flush faucet thoroughly to clear any debris. Care should be taken when cleaning the product. Do not use abrasive cleaners, chemicals or solvents as they can result in surface damage. Use mild soap and warm water for cleaning and protecting the life of Chicago Faucet products. For specific operation and maintenance refer to the installation instructions and repair parts documents that are located at www.chicagofaucets.com.

Chicago Faucets, member of the Geberit Group, is the leading brand of commercial faucets and fittings in the United States, offering a complete range of products for schools, laboratories, hospitals, office buildings, food service, airports and sport facilities. Call 1.800.TECTRUE or 1.847.803.5000 Option 1 for installation or other technical assistance.

