

# Accessories & Parts

## 983-WSCP

### Product Type

---

Turret with three side outlets @ and inlet supply shank

### Features & Specifications

---

- 3/8" NPT male thread inlet
- 3/8" NPT female thread outlet
- 3/8" NPT male thread inlet shank - assembled to turret
- Three 3/8" NPT female thread outlets
- Complies with the requirements of the Buy American Act of 1933.

### Warranty

---

### Codes & Standards

---

Job Name \_\_\_\_\_

Item Number \_\_\_\_\_

Section/Tag \_\_\_\_\_

Model Specified \_\_\_\_\_

Architect \_\_\_\_\_

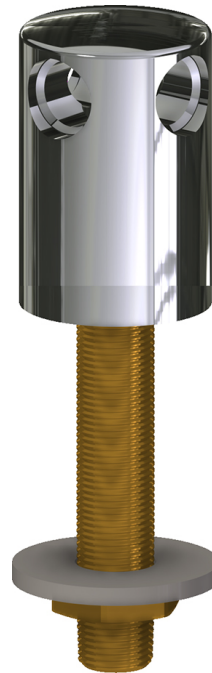
Engineer \_\_\_\_\_

Contractor \_\_\_\_\_

Submitted as Shown

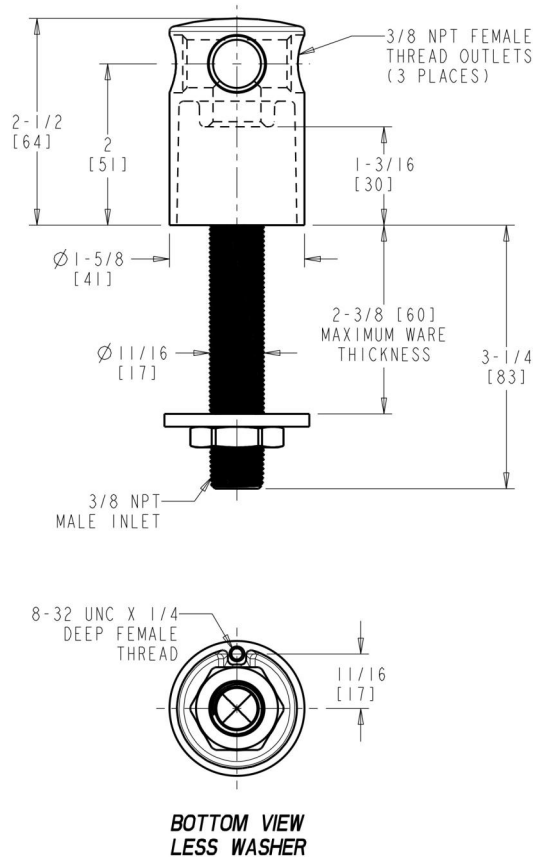
Submitted with Variations

Date \_\_\_\_\_



**Architect/Engineer Specification**

Chicago Faucets No. 983-WSCP, Turret with Three Side Outlets @ and Inlet Supply Shank, chrome plated. 3/8 NPT male thread inlet shank, assembled to turret. Three 3/8 NPT female thread outlets.



**Operation and Maintenance**

Installation should be in accordance with local plumbing codes. Flush all pipes thoroughly before installation. After installation, remove spout outlet or flow control and flush faucet thoroughly to clear any debris. Care should be taken when cleaning the product. Do not use abrasive cleaners, chemicals or solvents as they can result in surface damage. Use mild soap and warm water for cleaning and protecting the life of Chicago Faucet products. For specific operation and maintenance refer to the installation instructions and repair parts documents that are located at [www.chicagofaucets.com](http://www.chicagofaucets.com).

Chicago Faucets, member of the Geberit Group, is the leading brand of commercial faucets and fittings in the United States, offering a complete range of products for schools, laboratories, hospitals, office buildings, food service, airports and sport facilities. Call 1.800.TECTRUE or 1.847.803.5000 Option 1 for installation or other technical assistance.

