

Accessories & Parts

132-HFTABNF

Product Type

Emergency thermostatic mixing valve with cold water bypass

Features & Specifications

- 3/4" NPT inlet
- 1" NPT outlet
- Flow Rate: 1.0 - 35.1 GPM @ 30 PSID
- ECAST® design provides durable cast brass construction with total lead content equal to or less than 0.25% by weighted average
- Complies with the requirements of the Buy American Act of 1933.

Warranty

- 1-Year Limited Material Warranty
- 1-Year Limited Finish Warranty

Codes & Standards

-  ASSE 1071 Temperature Actuated Mixing Valves for Plumbed Emergency Equipment as certified by IAPMO

Job Name _____

Item Number _____

Section/Tag _____

Model Specified _____

Architect _____

Engineer _____

Contractor _____

Submitted as Shown Submitted with Variations

Date _____



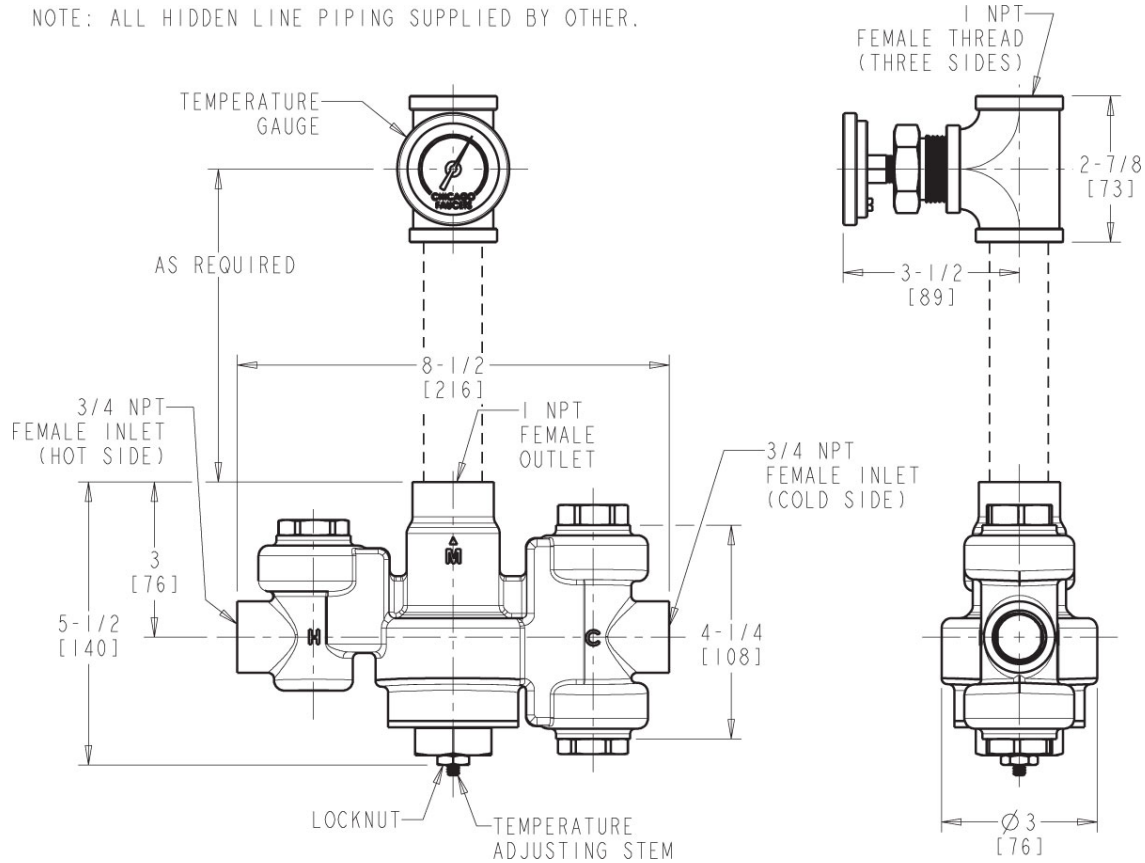
ECAST

ECAST products are intended for installation where state laws and local codes mandate lead content levels or in any location where lead content is a concern.

Architect/Engineer Specification

Chicago Faucets 132-HFTABNF, Emergency Fixture Thermostatic Mixing Valve with Cold Water Bypass. 3/4" NPT inlet. 1" NPT outlet. ASSE 1071 Temperature Actuated Mixing Valves for Plumbed Emergency Equipment as certified by IAPMO. Flow Rate: 1.0 - 35.1 GPM @ 30 PSID

NOTE: ALL HIDDEN LINE PIPING SUPPLIED BY OTHER.



Operation and Maintenance

Installation should be in accordance with local plumbing codes. Flush all pipes thoroughly before installation. After installation, remove spout outlet or flow control and flush faucet thoroughly to clear any debris. Care should be taken when cleaning the product. Do not use abrasive cleaners, chemicals or solvents as they can result in surface damage. Use mild soap and warm water for cleaning and protecting the life of Chicago Faucet products. For specific operation and maintenance refer to the installation instructions and repair parts documents that are located at www.chicagofaucets.com.

Chicago Faucets, member of the Geberit Group, is the leading brand of commercial faucets and fittings in the United States, offering a complete range of products for schools, laboratories, hospitals, office buildings, food service, airports and sport facilities. Call 1.800.TECTRUE or 1.847.803.5000 Option 1 for installation or other technical assistance.



2100 South Clearwater Drive
Des Plaines, IL
P: 847/803-5000
F: 847/803-5454
Technical: 800/TEC-TRUE
www.chicagofaucets.com