

**CHICAGO FAUCETS**  
a Geberit company

2100 South Clearwater Drive  
Des Plaines, IL 60018  
Phone: 847-803-5000  
Fax: 847-803-5454  
www.chicagofaucets.com

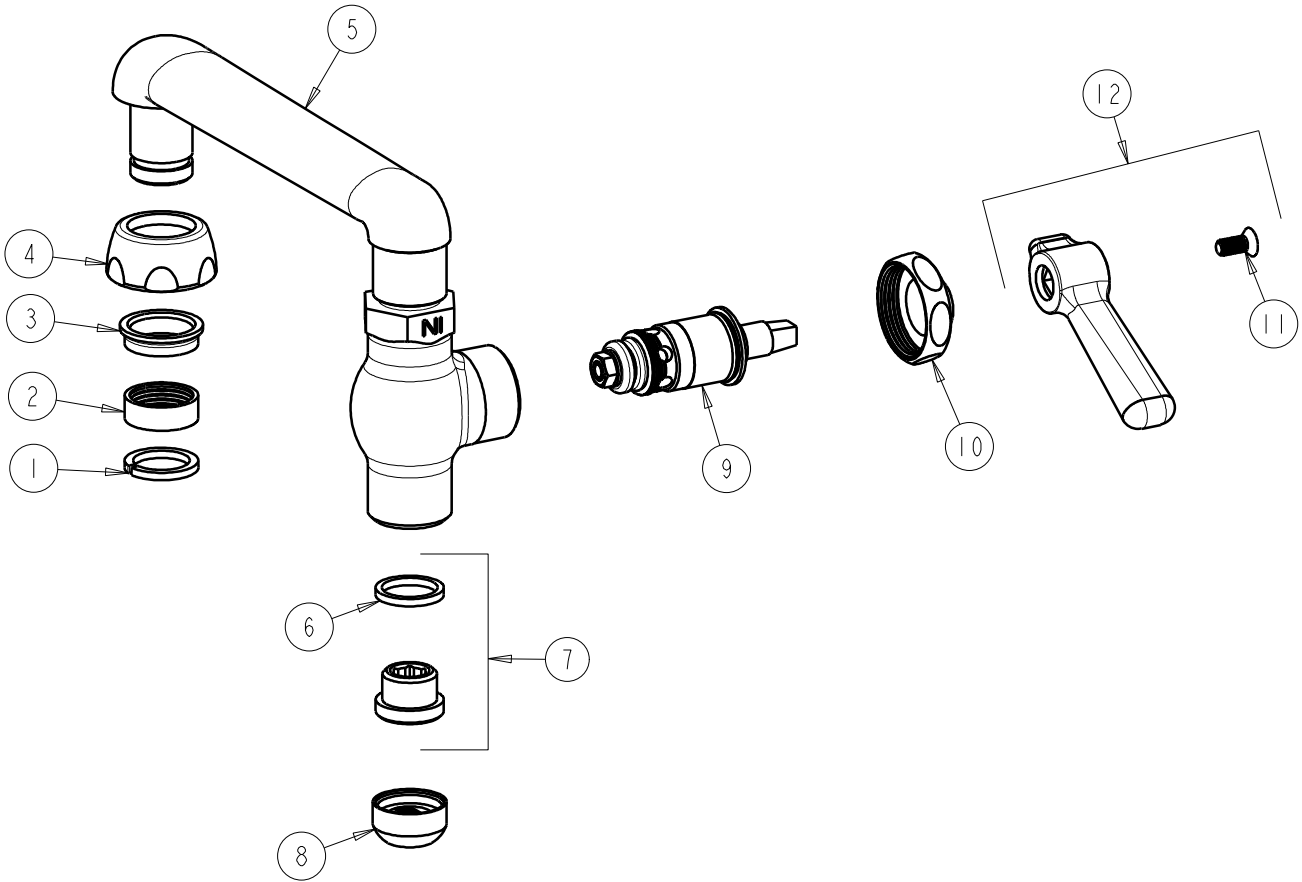
**REPAIR PARTS**

BY: JAR      DATE: 01-17-08  
CHK: *JAR*      REV: 11-04-09

FITTING NO.  
**S6E31JKCP**  
SUBMITTED MODEL NO.

**FOR TECHNICAL ASSISTANCE**  
1-800-TEC-TRUE (1-800-832-8783)

ITEM NO.



ITEM	PART NO.	DESCRIPTION
1	1-126JKNF	SPLIT RING
2	1-006JKNF	SPOUT PACKING
3	1-104JKNF	SPOUT GLAND
4	1100-208JKCP	NUT, SPOUT 1-1/16-18 UNEF
5	---	SPOUT (NOT SOLD SEPERATELY)
6	229-003JKNF	WASHER
7	K2JKRCF	ADAPTER
8	E1JKRCF	QUIXTOP OUTLET
9	1-099XTJKNF	QUATURN UNIT (RH)
10	1-214JKCP	CAP
11	420-010JKRCF	SCREW, 10-32 UNC PH 1/2
12	269-JKNF	HEAT RESISTANT LEVER HANDLE