



a Geberit company

2100 South Clearwater Drive
Des Plaines, IL 60018
Phone: 847-803-5000
Fax: 847-803-5454
www.chicagofaucets.com

FOR TECHNICAL ASSISTANCE
1-800-TEC-TRUE (1-800-832-8783)

REPAIR PARTS

BY: JAR DATE: 11-25-14
CHK: REV:

FITTING NO.

EQ-B1_SERIES

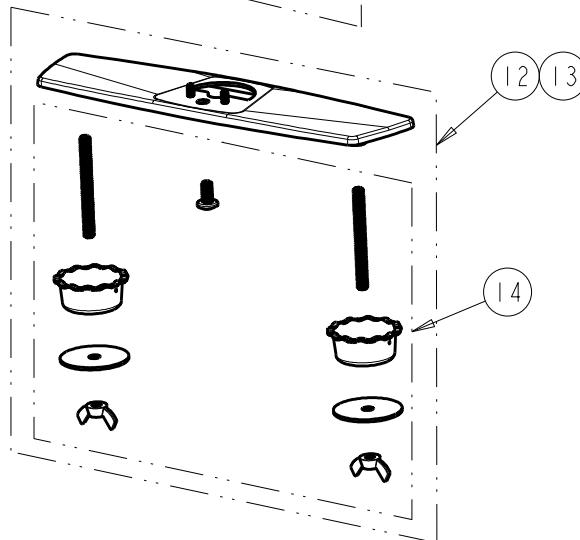
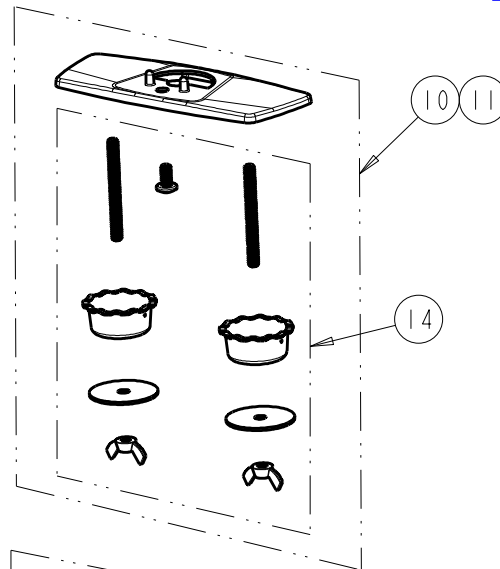
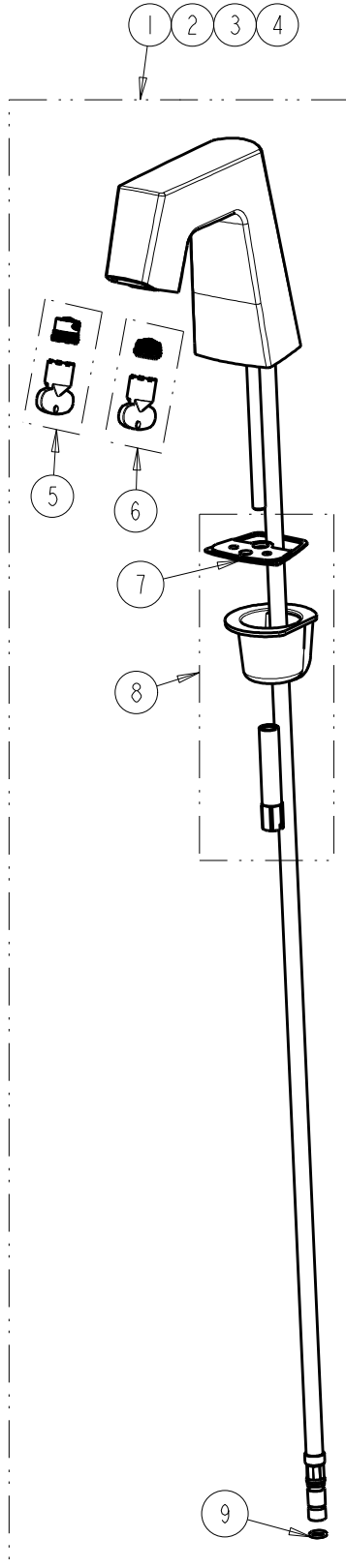
SUBMITTED MODEL NO.

ITEM NO.

FINISH OPTIONS

CP=CHROME PLATE

BN=BRUSHED NICKEL



NOTE:
ITEM 7 INCLUDES ITEM 9 AND 2 OTHER GASKETS. (NOT SHOWN)

ITEM	PART NO.	DESCRIPTION
1	EQ-B11A-KJKABCP	KIT, EQ SQUARE SPOUT w/ 0.5 GPM
2	EQ-B11A-KJKABBN	KIT, EQ SQUARE SPOUT w/ 0.5 GPM
3	EQ-B11B-KJKABCP	KIT, EQ SQUARE SPOUT w/ 1.0 GPM
4	EQ-B11B-KJKABBN	KIT, EQ SQUARE SPOUT w/ 1.0 GPM
5	243.146.AB.1	KIT, OUTLET FOR EQ 1.0 GPM
6	243.145.AB.1	KIT, OUTLET FOR EQ 0.5 GPM
7	243.150.AB.1	KIT, SPOUT SEAL EQ SERIES
8	243.148.00.1	KIT, HARDWARE FOR EQ SQUARE SPOUT
9	-----	O-RING #011, DRINKING WATER COMPLIANT
10	EQ-B12-KJKCP	KIT, 4" COVER PLATE - EQ SQUARE
11	EQ-B12-KJKBN	KIT, 4" COVER PLATE - EQ SQUARE
12	EQ-B13-KJKCP	KIT, 8" COVER PLATE - EQ SQUARE
13	EQ-B13-KJKBN	KIT, 8" COVER PLATE - EQ SQUARE
14	243.181.00.1	KIT, HARDWARE FOR EQ COVER PLATES