



a Geberit company

2100 South Clearwater Drive
Des Plaines, IL 60018
Phone: 847-803-5000
Fax: 847-803-5454
www.chicagofaucets.com

FOR TECHNICAL ASSISTANCE
1-800-TEC-TRUE (1-800-832-8783)

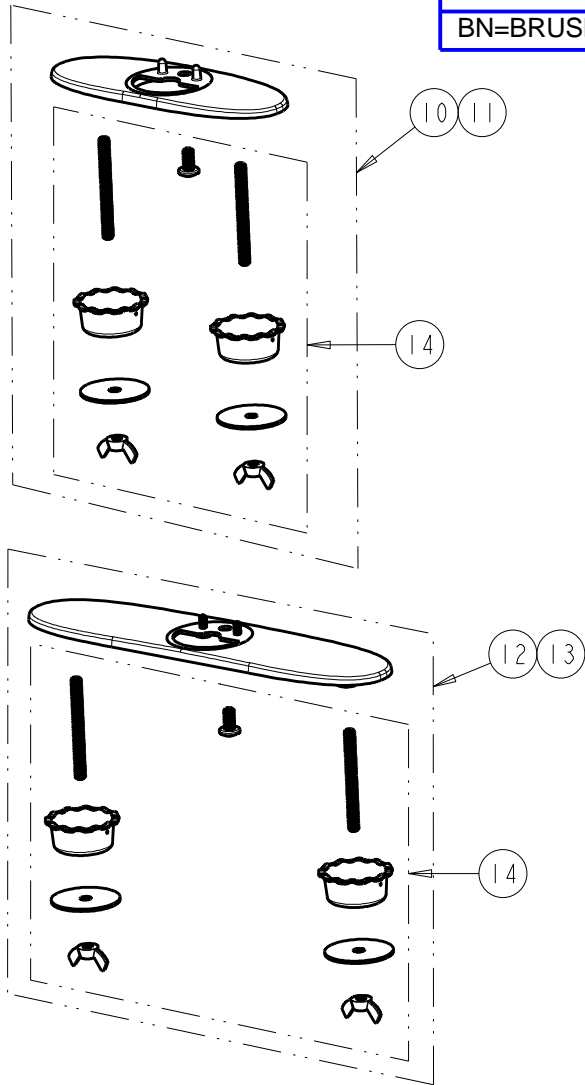
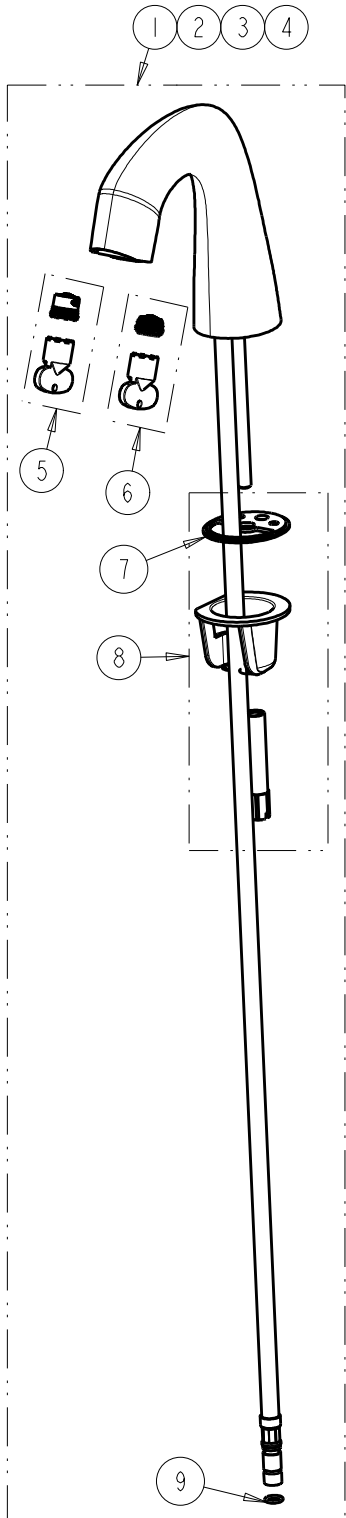
REPAIR PARTS

BY: JAR DATE: 11-24-14
CHK: REV:

FITTING NO.
EQ-A1_SERIES
SUBMITTED MODEL NO.

ITEM NO.

FINISH OPTIONS
CP=CHROME PLATE
BN=BRUSHED NICKEL



NOTE:
ITEM 7 INCLUDES ITEM 9 AND 2 OTHER GASKETS. (NOT SHOWN)

| ITEM | PART NO. | DESCRIPTION |
|------|-----------------|---|
| 1 | EQ-A11A-KJKABCP | KIT, EQ CURVED SPOUT w/ 0.5 GPM |
| 2 | EQ-A11A-KJKABBN | KIT, EQ CURVED SPOUT w/ 0.5 GPM |
| 3 | EQ-A11B-KJKABCP | KIT, EQ CURVED SPOUT w/ 1.0 GPM |
| 4 | EQ-A11B-KJKABBN | KIT, EQ CURVED SPOUT w/ 1.0 GPM |
| 5 | 243.146.AB.1 | KIT, OUTLET FOR EQ 1.0 GPM |
| 6 | 243.145.AB.1 | KIT, OUTLET FOR EQ 0.5 GPM |
| 7 | 243.150.AB.1 | KIT, SPOUT SEAL EQ SERIES |
| 8 | 243.147.00.1 | KIT, HARDWARE FOR EQ CURVED SPOUT |
| 9 | ----- | O-RING #011, DRINKING WATER COMPLIANT |
| 10 | EQ-A12-KJKCP | KIT, 4" COVER PLATE - EQ CURVED/HIGHARC |
| 11 | EQ-A12-KJKBN | KIT, 4" COVER PLATE - EQ CURVED/HIGHARC |
| 12 | EQ-A13-KJKCP | KIT, 8" COVER PLATE - EQ CURVED/HIGHARC |
| 13 | EQ-A13-KJKBN | KIT, 8" COVER PLATE - EQ CURVED/HIGHARC |
| 14 | 243.181.00.1 | KIT, HARDWARE FOR EQ COVER PLATES |