

PARTS LIST

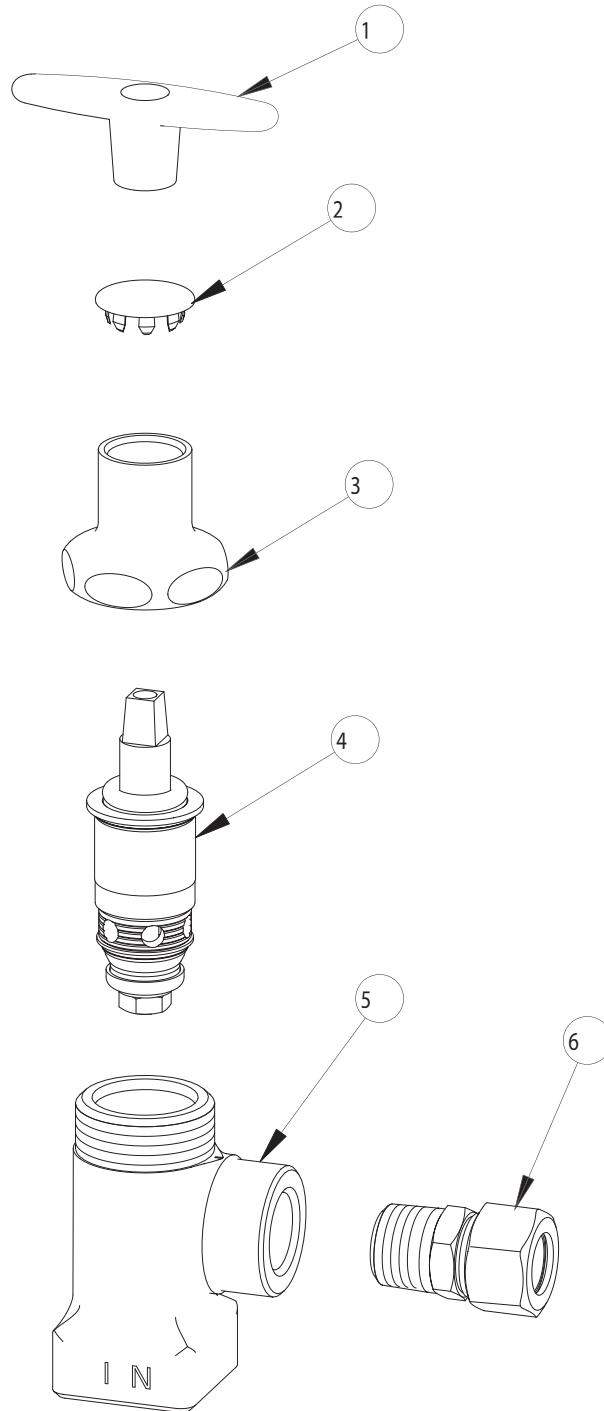
BY: SID
CHK'D:



FINISH:
DATE:

AS SPECIFIED
11-01-01

995



ITEM NO.	PART NO.	DESCRIPTION	ITEM NO.	PART NO.	DESCRIPTION
1	293-006	TEE HANDLE	5	-----	VALVE BODY (NOT SOLD SEPARATELY)
2	1-144	BUTTON	6	1022-006	COMPRESSION FITTING
3	1-246	LOOSE KEY CAP			
4	217XTLH	SLO-COMPRESSION UNIT (LH)			