



a Geberit company

2100 South Clearwater Drive  
Des Plaines, IL 60018  
Phone: 847-803-5000  
Fax: 847-803-5454  
www.chicagofaucets.com

**FOR TECHNICAL ASSISTANCE**  
1-800-TEC-TRUE (1-800-832-8783)

# REPAIR PARTS

BY: SID      DATE: 04-11-02

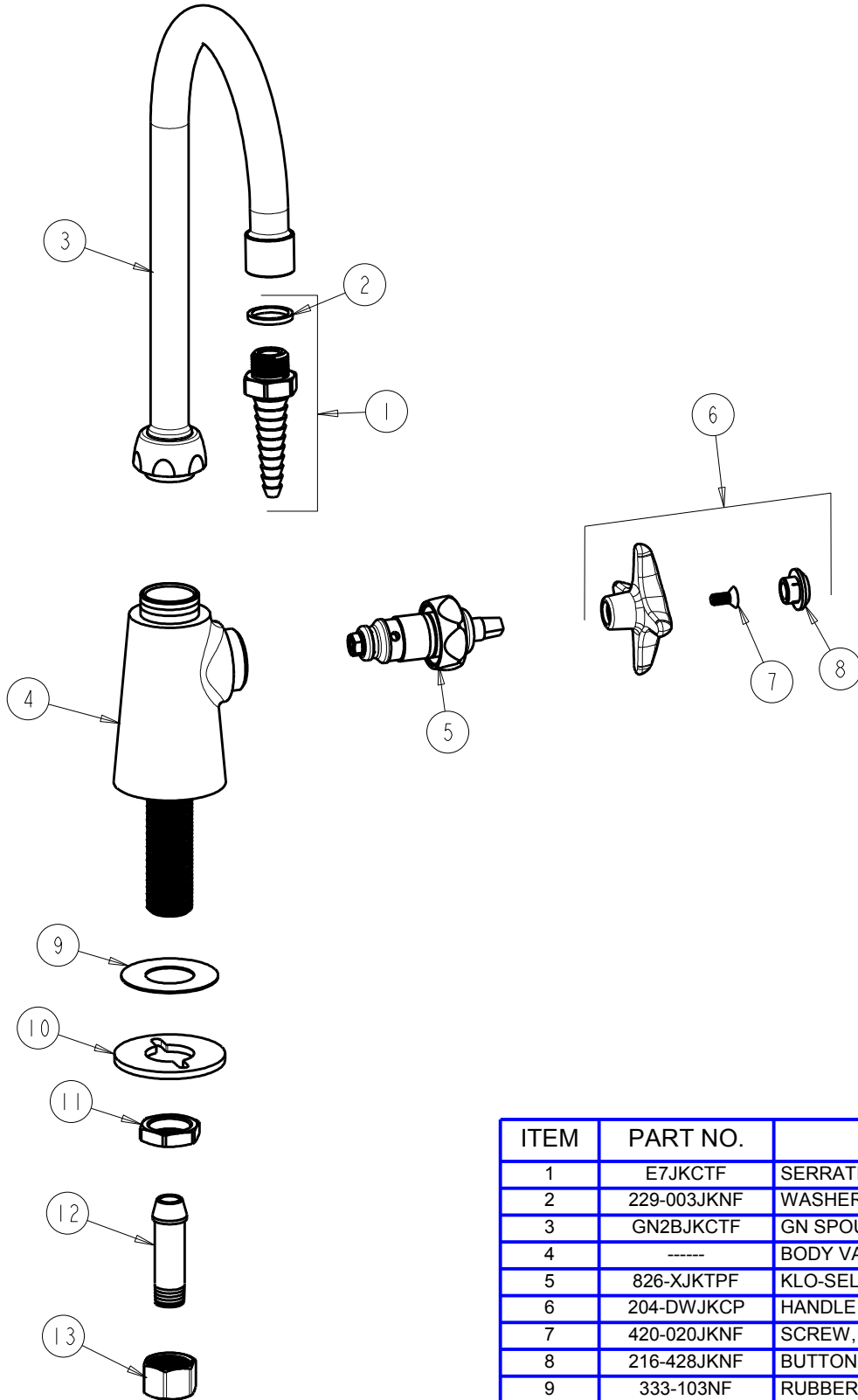
CHK: *[Signature]*      REV: 10-27-14

FITTING NO.

**969-CTF**

SUBMITTED MODEL NO.

ITEM NO.



ITEM	PART NO.	DESCRIPTION
1	E7JKCTF	SERRATED HOSE NOZZLE
2	229-003JKNF	WASHER
3	GN2BJKCTF	GN SPOUT B TYPE END
4	-----	BODY VALVE (NOT SOLD SEPARATELY)
5	826-XJKTPF	KLO-SELF CARTRIDGE
6	204-DWJKCP	HANDLE ASSEMBLY
7	420-020JKNF	SCREW, 1/8 FLAT HEX HEAD X 1/2
8	216-428JKNF	BUTTON 'DW'
9	333-103NF	RUBBER WASHER
10	807-112JKNF	WASHER
11	49-004JKRBF	LOCKNUT
12	49-006JKTPF	TAILPIECE
13	49-005JKRBF	COUPLING NUT