

**CHICAGO FAUCETS**  
a Geberit company

2100 South Clearwater Drive  
Des Plaines, IL 60018  
Phone: 847-803-5000  
Fax: 847-803-5454  
www.chicagofaucets.com

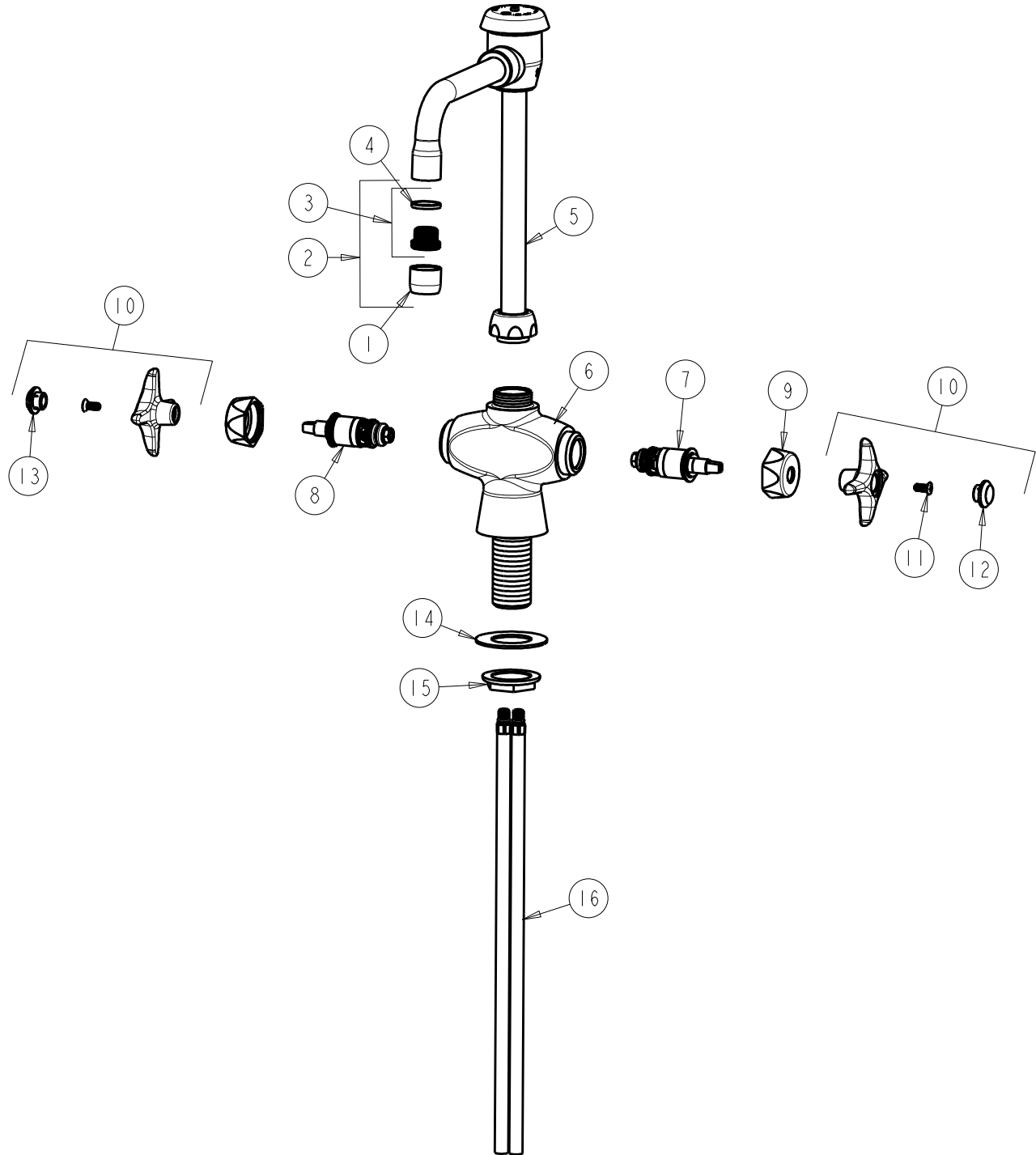
**REPAIR PARTS**

FITTING NO.  
**930-E3-2CP**  
SUBMITTED MODEL NO.

**FOR TECHNICAL ASSISTANCE**  
1-800-TEC-TRUE (1-800-832-8783)

BY: SID DATE: 10-24-11  
CHK: *[Signature]* REV:

ITEM NO.



ITEM	PART NO.	DESCRIPTION	ITEM	PART NO.	DESCRIPTION
1	E3JKCP	SOFTFLO AERATOR OUTLET	9	444-005JKCP	CAP
2	E3-2JKCP	SOFTFLO AERATOR WITH ADAPTER	10	204-PRJKCP	HANDLE ASSEMBLY (PAIR)
3	K2JKRCF	ADAPTER w/WASHER	11	420-010JKRCF	SCREW, 10-32 UNC PH 1/2
4	229-003JKNF	WASHER	12	216-178JKNF	BUTTON 'CW'
5	GN2BVBKCP	VACUUM BREAKER SWING SPOUT	13	216-128JKNF	BUTTON 'HW'
6	---	VALVE BODY (NOT SOLD SEPARATELY)	14	50-014JKNF	STEEL WASHER
7	217-XTRHJKNF	CARTRIDGE, SLO-COMPRESSION (RH)	15	50-003JKRBF	LOCKNUT
8	217-XTLHJKNF	CARTRIDGE, SLO-COMPRESSION (LH)	16	50-101KJKNF	SUPPLY TUBE ASSEMBLY