

**CHICAGO FAUCETS**  
a Geberit company

2100 South Clearwater Drive  
Des Plaines, IL 60018  
Phone: 847-803-5000  
Fax: 847-803-5454  
www.chicagofaucets.com

**REPAIR PARTS**

FITTING NO.

**927-317CP**

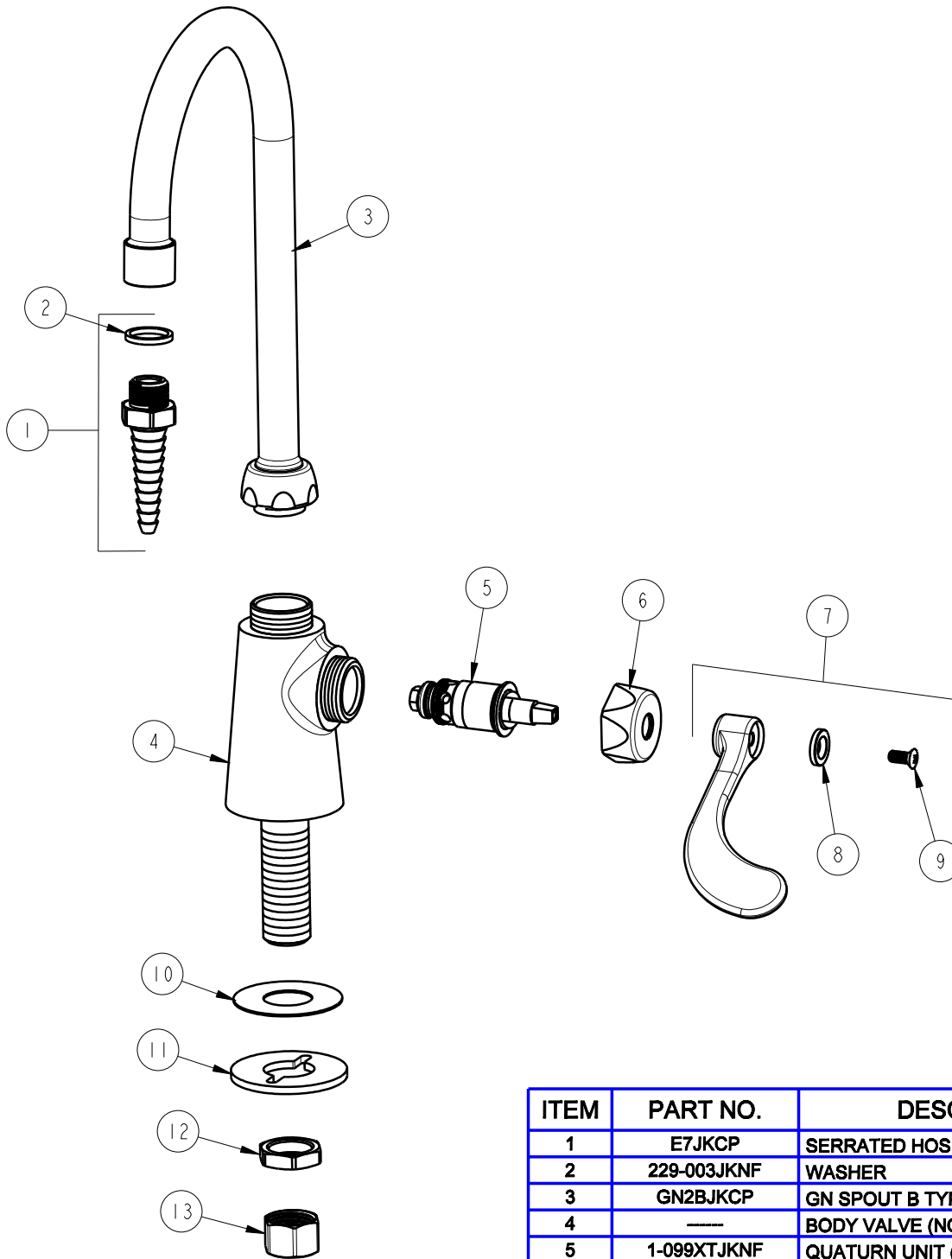
SUBMITTED MODEL NO.

ITEM NO.

BY: SID DATE: 07-13-10

CHK: *[Signature]* REV:

**FOR TECHNICAL ASSISTANCE**  
**1-800-TEC-TRUE (1-800-832-8783)**



ITEM	PART NO.	DESCRIPTION
1	E7JKCP	SERRATED HOSE NOZZLE
2	229-003JKNF	WASHER
3	GN2BJKCP	GN SPOUT B TYPE END
4	---	BODY VALVE (NOT SOLD SEPARATELY)
5	1-099XTJKNF	QUATURN UNIT (RH)
6	444-005JKCP	CAP
7	317-COLDJKCP	WRISTBLADE HANDLE
8	633-123JKNF	INDEX BUTTON (BLUE)
9	420-010JKRCF	SCREW, 10-32 UNC PH 1/2
10	52-007JKNF	WASHER, RUBBER
11	807-112JKNF	WASHER
12	49-004JKRBF	LOCKNUT
13	49-005JKRBF	COUPLING NUT