

CHICAGO FAUCETS.

Geberit Group

FOR TECHNICAL ASSISTANCE
1-800-TEC-TRUE (1-800-832-8783)

2100 South Clearwater Drive
Des Plaines, IL 60018
Phone: 847-803-5000
Fax: 847-803-5454
www.chicagofaucets.com

REPAIR PARTS

BY: JAR DATE: 05-05-11

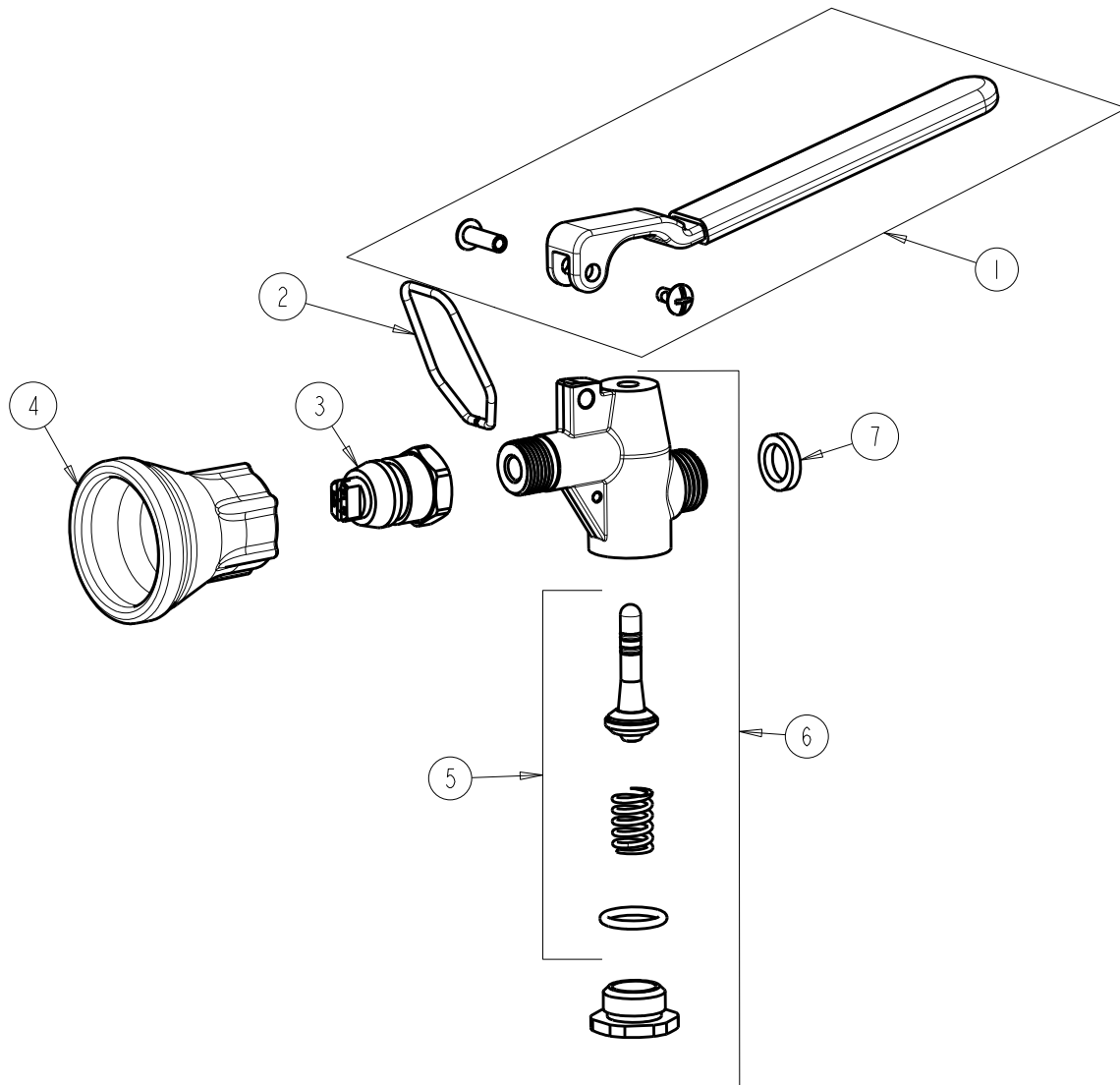
CHK:gae REV: 05-05-23

FITTING NO.

90-LABCP

SUBMITTED MODEL NO.

ITEM NO.



NOTES:

1. ITEM 6 SUPPLIED ASSEMBLED
2. ITEM 3 IS ADHESIVED TO VALVE AT THE FACTORY BUT IS AVAILABLE AS 'JK' ITEM.

ITEM	PART NO.	DESCRIPTION
1	90-001KJKNF	KIT, PRE-RINSE HANDLE
2	919-153JKNF	HANDLE CLIP
3	919-158JKABNF	NOZZLE 1.0 GPM
4	919-151JKNF	BUMPER, RUBBER
5	919-130KJKABNF	KIT, VALVE STEM ASSEMBLY
6	919-430KJKABCP	KIT, PRE-RINSE VALVE ASSEMBLY
7	200-010JKABNF	RUBBER WASHER, .680X.460X.120