

CHICAGO FAUCETS.

2100 South Clearwater Drive
Des Plaines, IL 60018
Phone: 847-803-5000
Fax: 847-803-5454
www.chicagofaucets.com

Geberit Group

FOR TECHNICAL ASSISTANCE
1-800-TEC-TRUE (1-800-832-8783)

REPAIR PARTS

BY: JAR DATE: 05-05-11

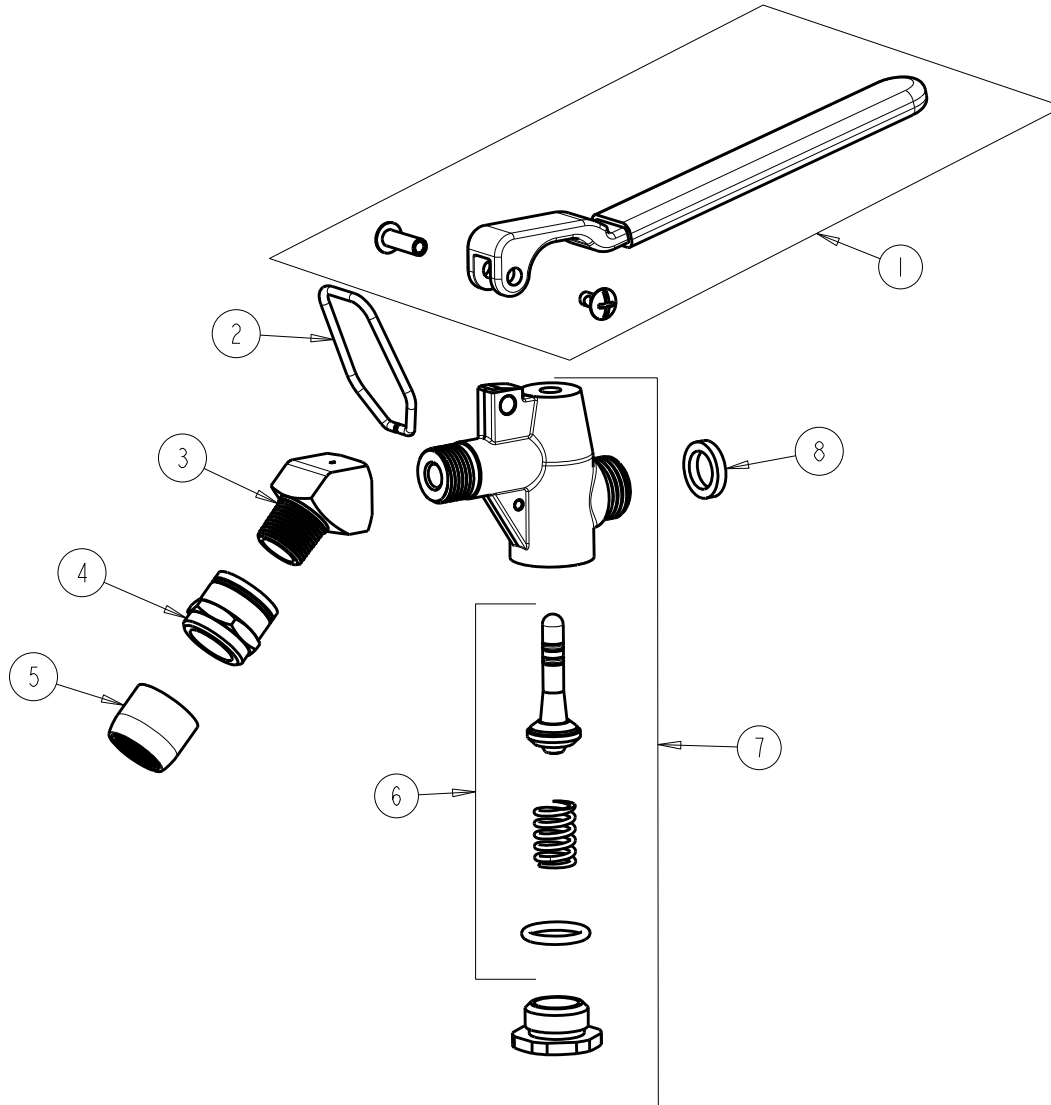
CHK: FHZ REV: 01-18-23

FITTING NO.

90-ANGE3ABCP

SUBMITTED MODEL NO.

ITEM NO.



NOTES:

1. ITEM 7 SUPPLIED ASSEMBLED.
2. ITEM 3 AND 4 ARE ADHESIVED TO VALVE BODY AT THE FACTORY BUT ARE AVAILABLE AS 'JK' ITEM.

ITEM	PART NO.	DESCRIPTION
1	90-001KJKNF	KIT, PRE-RINSE HANDLE
2	919-153JKNF	HANDLE CLIP
3	925-006JKABCP	ELBOW, 45 DEGREE
4	225-002JKABCP	ADAPTER
5	E3JKABCP	SOFTFLO AERATOR 2.2 GPM
6	919-130KJKNF	KIT, VALVE STEM ASSEMBLY
7	919-430KJKABCP	KIT, PRE-RINSE VALVE ASSEMBLY
8	200-010JKABNF	GASKET