

PARTS LIST

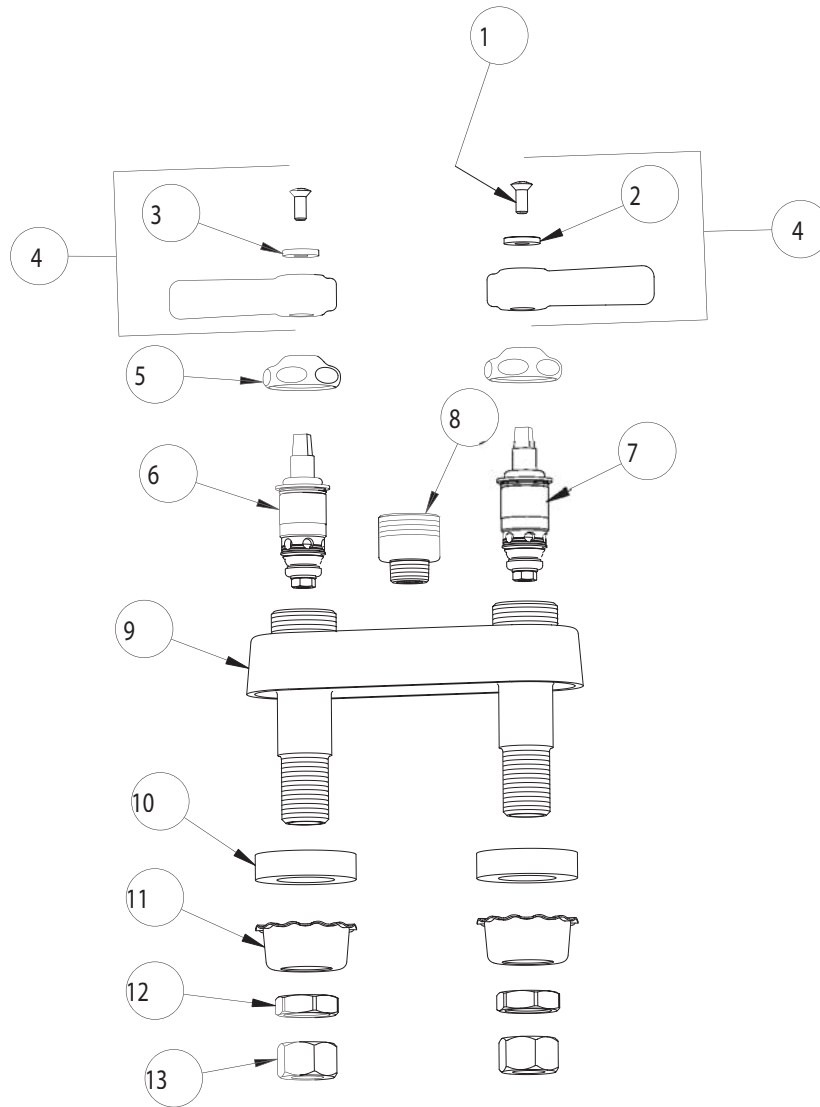
BY: JAR
CHK'D:



FINISH:
DATE:

AS SPECIFIED
10-29-01

895-LESSSPT



| ITEM NO. | PART NO. | DESCRIPTION | ITEM NO. | PART NO. | DESCRIPTION |
|----------|----------|----------------------------------|----------|----------|-------------------|
| 1 | 420-010 | SCREW | 10 | 555-313 | WASHER |
| 2 | 633-123 | INDEX BUTTON (BLUE) | 11 | 1797-114 | BASIN COCK WASHER |
| 3 | 633-023 | INDEX BUTTON (RED) | 12 | 49-004 | LOCKNUT |
| 4 | 369PR | LEVER HANDLE ASSEMBLY | 13 | 49-005 | COUPLING NUT |
| 5 | 1-214 | CAP | | | |
| 6 | 1-100XT | QUATURN UNIT (LH) | | | |
| 7 | 1-099XT | QUATURN UNIT (RH) | | | |
| 8 | 225-005 | ADAPTER | | | |
| 9 | ----- | VALVE BODY (NOT SOLD SEPARATELY) | | | |