



a Geberit company

2100 South Clearwater Drive
Des Plaines, IL 60018
Phone: 847-803-5000
Fax: 847-803-5454
www.chicagofaucets.com

REPAIR PARTS

BY: SID DATE: 02-18-11
CHK: *[Signature]* REV:

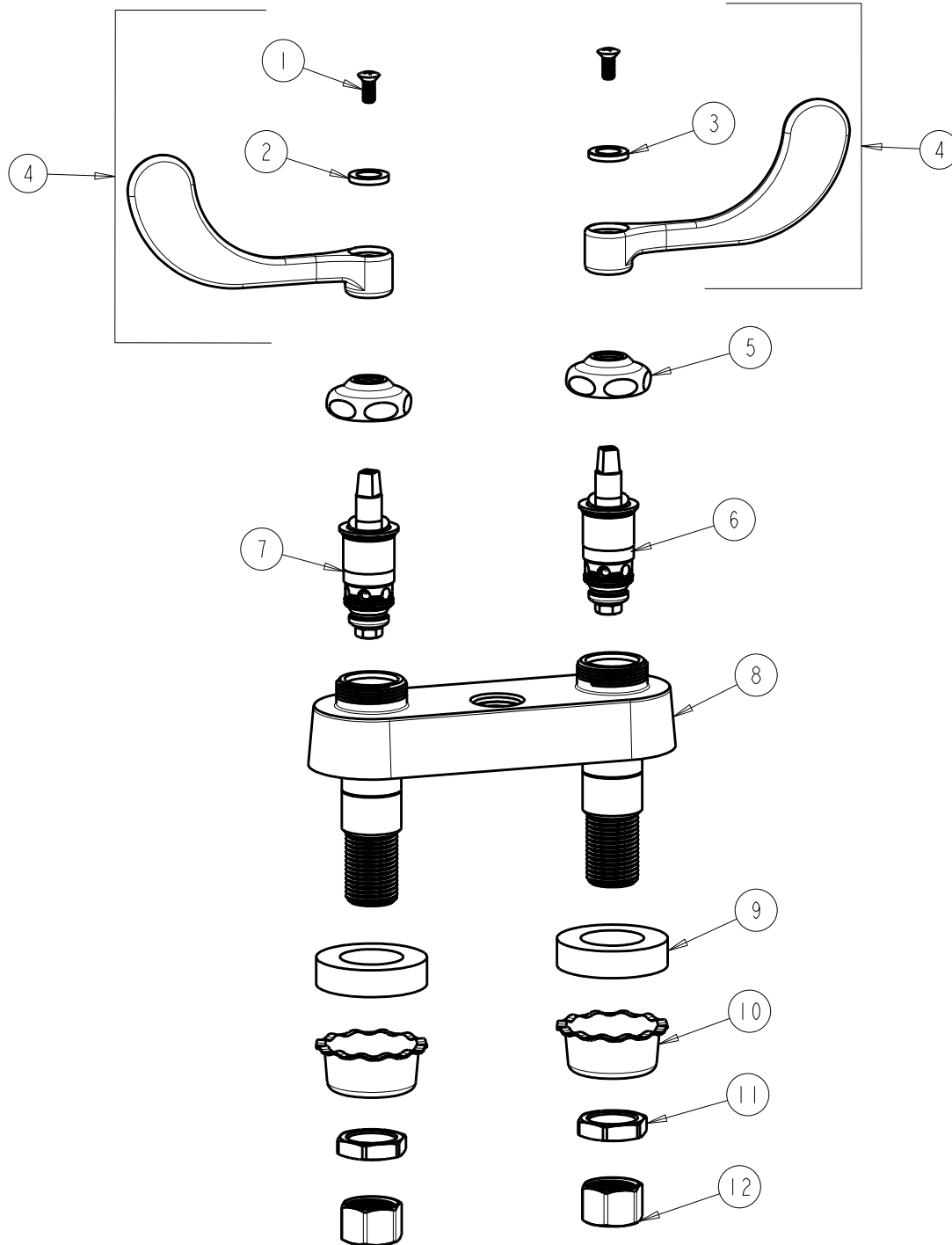
FITTING NO.

895-317RGD1LESSSPTCP

SUBMITTED MODEL NO.

ITEM NO.

FOR TECHNICAL ASSISTANCE
1-800-TEC-TRUE (1-800-832-8783)



ITEM	PART NO.	DESCRIPTION	ITEM	PART NO.	DESCRIPTION
1	420-010JKRCF	SCREW, 10-32 UNC PH 1/2	8	---	VALVE BODY (NOT SOLD SEPARATELY)
2	633-023JKNF	INDEX BUTTON (RED)	9	555-313JKNF	WASHER
3	633-123JKNF	INDEX BUTTON (BLUE)	10	1797-114JKNF	BASIN COCK WASHER
4	317-PRJKCP	HANDLE, 4" WRISTBLADE (PAIR)	11	49-004JKRBF	LOCKNUT
5	1-214JKCP	CAP	12	49-005JKRBF	COUPLING NUT
6	1-099XTJKNF	QUATURN UNIT (RH)			
7	1-100XTJKNF	QUATURN UNIT (LH)			