

CHICAGO FAUCETS

a Geberit company

2100 South Clearwater Drive
Des Plaines, IL 60018
Phone: 847-803-5000
Fax: 847-803-5454
www.chicagofaucets.com

FOR TECHNICAL ASSISTANCE
1-800-TEC-TRUE (1-800-832-8783)

REPAIR PARTS

BY: SID DATE: 11-04-11

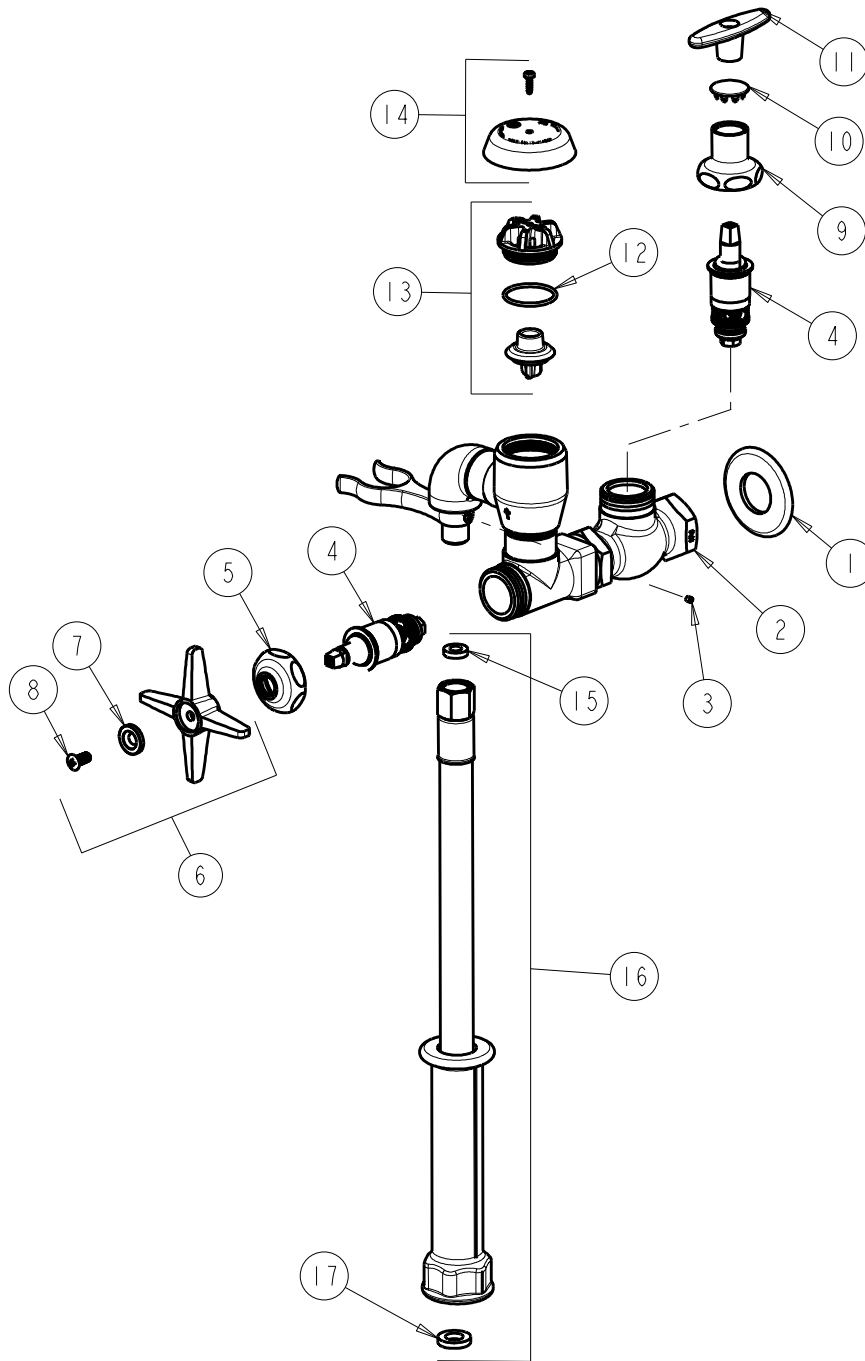
CHK: *[Signature]* REV:

FITTING NO.

809-LESS777-19KCP

SUBMITTED MODEL NO.

ITEM NO.



ITEM	PART NO.	DESCRIPTION	ITEM	PART NO.	DESCRIPTION
1	417-019JKCP	FLANGE, 1.94 X .88 X .11	10	1-144JKCP	BUTTON
2	—	VALVE BODY (NOT SOLD SEPARATELY)	11	293-006JKRCF	TEE HANDLE (INCLUDES SCREW)
3	777-013JKNF	SCREW, SET 6-32 X 1/8	12	80-007JKNF	O RING 0.989 X .070
4	217-XTLHJKNF	CARTRIDGE, SLO-COMPRESSION (LH)	13	892-302KJKNF	VACUUM BREAKER REPAIR KIT
5	1-214JKCP	CAP	14	892-254KJKCP	VACUUM BREAKER COVER w/SCREW
6	633-COLDJKCP	4-ARM CROSS HANDLE ASSEMBLY	15	739-051JKNF	GASKET, 1/2 X 1/4 X 1/8
7	633-123JKNF	INDEX BUTTON (BLUE)	16	739-053KJKNF	HOSE, WHITE VINYL 53" W/ WASHERS
8	420-010JKRCF	SCREW, 10-32 UNC PH 1/2	17	919-243JKNF	GASKET, .685 X .375 X .125
9	1-246JKCP	NUT, CAP LOOSE KEY 1-1/8-18 UNEF			