

CHICAGO FAUCETS
a Geberit company

2100 South Clearwater Drive
Des Plaines, IL 60018
Phone: 847-803-5000
Fax: 847-803-5454
www.chicagofaucets.com

REPAIR PARTS

FITTING NO.

806-CP

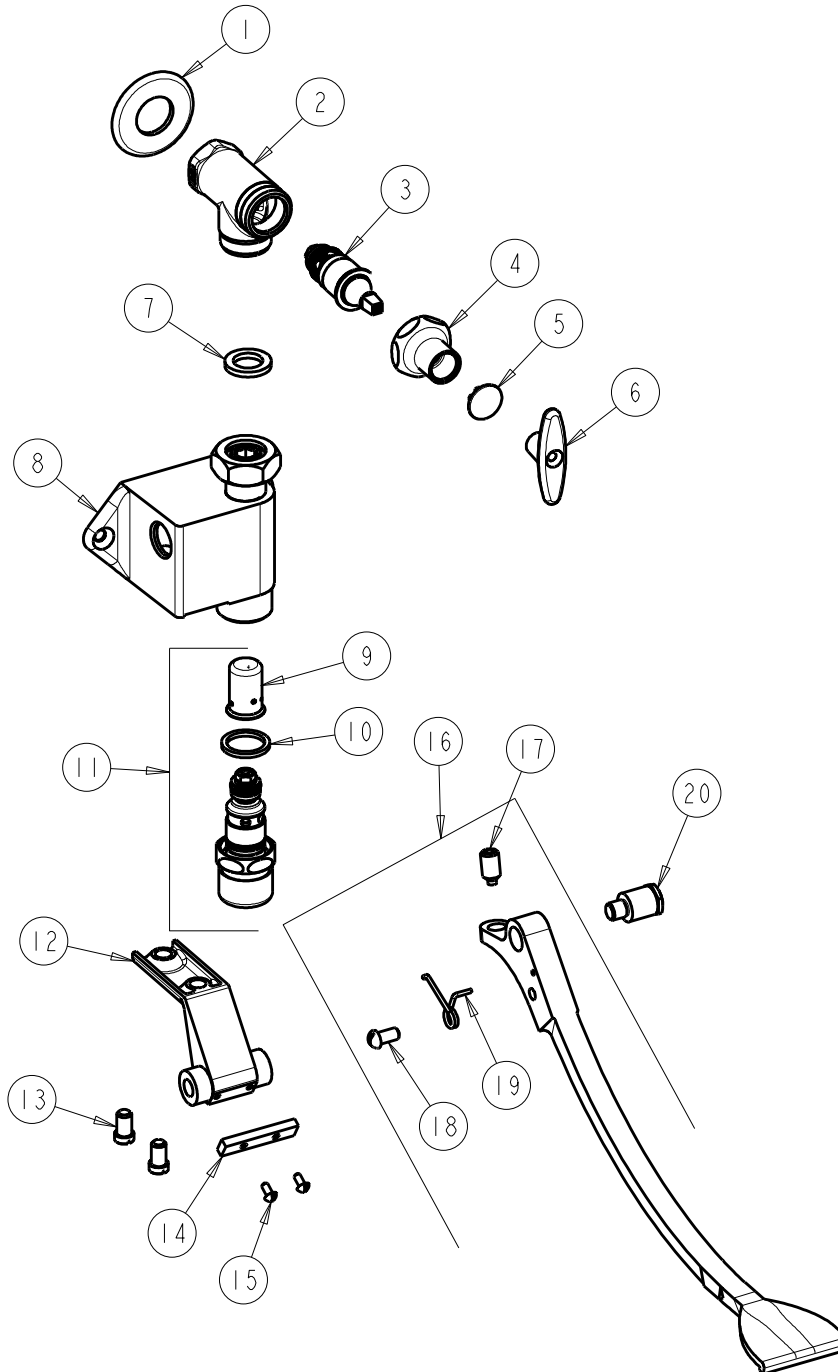
SUBMITTED MODEL NO.

ITEM NO.

BY: JAR DATE: 03-12-02

CHK: *[Signature]* REV: 06-21-11

FOR TECHNICAL ASSISTANCE
1-800-TEC-TRUE (1-800-832-8783)



ITEM	PART NO.	DESCRIPTION	ITEM	PART NO.	DESCRIPTION
1	417-019JKCP	FLANGE, 1.94 X .88 X .11	11	625-XJKNF	FOR PARTS SEE 625-XJKABNF
2	—	VALVE BODY (NOT SOLD SEPARATELY)	12	834-013JKCP	PEDAL BRACKET
3	217-XTLHJKNF	CARTRIDGE, SLO-COMPRESSION (LH)	13	625-006JKNF	SCREW, PAN HEAD 5/16-18 UNC
4	1-246JKCP	NUT, CAP LOOSE KEY 1-1/8-18 UNEF	14	834-012JKNF	PEDAL STOP
5	1-144JKCP	BUTTON	15	76-008JKNF	SCREW, ROUND HEAD 6-32
6	293-006JKRCF	TEE HANDLE (INCLUDES SCREW)	16	834-207KJKNF	PEDAL ASSEMBLY
7	1-011JKNF	WASHER, .97 X .62 X .12	17	745-025JKNF	SCREW, PEDAL 3/8-24 UNF
8	—	VALVE BODY (NOT SOLD SEPARATELY)	18	173-032JKNF	SCREW, ROUND HEAD 1/4-20 X 1/2
9	333-075JKNF	DASHPOT	19	834-011JKNF	SPRING, RH PEDAL
10	1-043JKNF	GASKET, CAP 1 X .80 X .09	20	625-061JKRCF	BOLT, SHOULDER 3/8-24 UNF X 5/8 HEX