

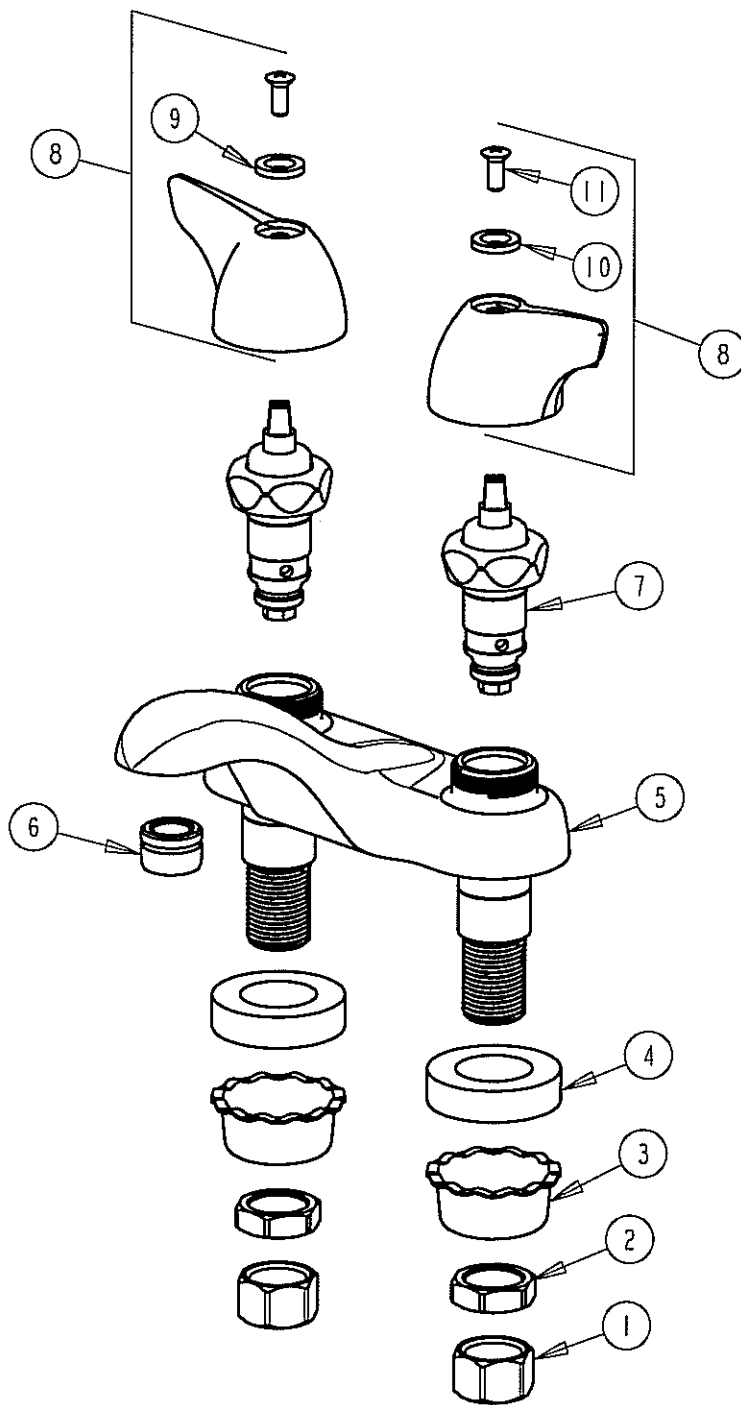
PARTS LIST

BY: SID
CHK'D: DT

**CHICAGO
FAUCETS**
Last As Long As The Building

FINISH: AS SPECIFIED
DATE: 07-17-02

802-1000-244



ITEM NO.	PART NO.	DESCRIPTION	ITEM NO.	PART NO.	DESCRIPTION
1	49-005	COUPLING NUT	8	1000PR	WING HANDLE ASSEMBLY
2	49-004	LOCKNUT	9	633-023	INDEX BUTTON (RED)
3	1797-114	BASIN COCK WASHER	10	633-123	INDEX BUTTON (BLUE)
4	555-313	WASHER	11	420-010	SCREW
5	-----	VALVE BODY (NOT SOLD SEPARATELY)			
6	E12	SOFTFLO OUTLET			
7	826-X	KLO-SELF CARTRIDGE			