

**CHICAGO FAUCETS**  
a Geberit company

2100 South Clearwater Drive  
Des Plaines, IL 60018  
Phone: 847-803-5000  
Fax: 847-803-5454  
www.chicagofaucets.com

**REPAIR PARTS**

FITTING NO.

**797-XKCP**

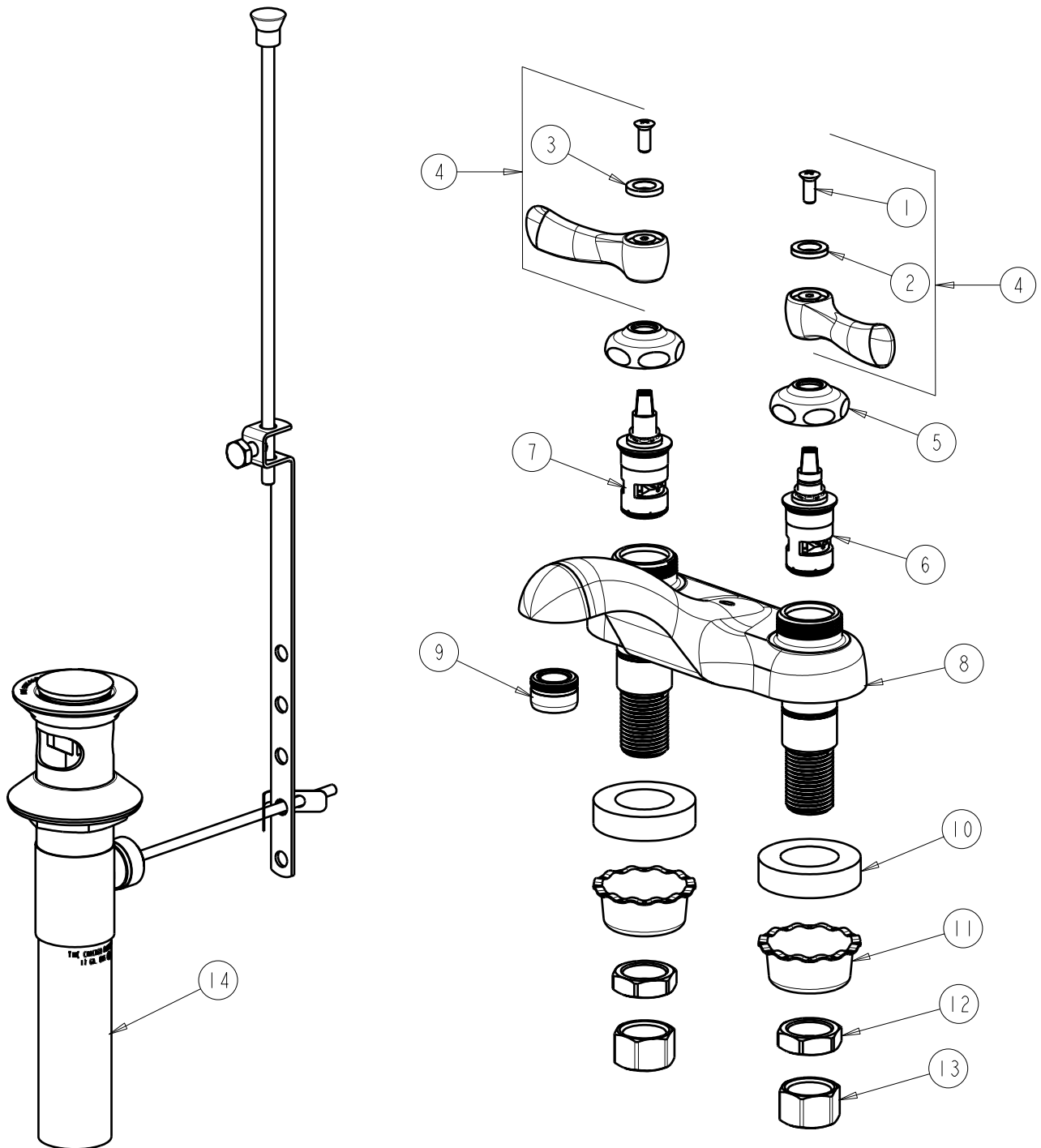
SUBMITTED MODEL NO.

ITEM NO.

BY: SID DATE: 08-21-02

CHK: *[Signature]* REV: 06-11-08

**FOR TECHNICAL ASSISTANCE**  
1-800-TEC-TRUE (1-800-832-8783)



ITEM	PART NO.	DESCRIPTION	ITEM	PART NO.	DESCRIPTION
1	420-010JKRCF	SCREW, 10-32 UNC PH 1/2	8	-----	VALVE BODY (NOT SOLD SEPARATELY)
2	633-123JKNF	INDEX BUTTON (BLUE)	9	E12JKCP	SOFTFLO OUTLET
3	633-023JKNF	INDEX BUTTON (RED)	10	555-313JKNF	WASHER
4	390-PRJKCP	LEVER HANDLE ASSEMBLY (PAIR)	11	1797-114JKNF	BASIN COCK WASHER
5	1-214JKCP	CAP	12	49-004JKRBF	LOCKNUT
6	1-099XKJKNF	RH CERAMIC QUATURN UNIT	13	49-005JKRBF	COUPLING NUT
7	1-100XKJKNF	LH CERAMIC QUATURN UNIT	14	1222-KJKCP	POP-UP WASTE