

CHICAGO FAUCETS
a Geberit company

2100 South Clearwater Drive
Des Plaines, IL 60018
Phone: 847-803-5000
Fax: 847-803-5454
www.chicagofaucets.com

REPAIR PARTS

FITTING NO.

786-HZGN2AE29-317CP

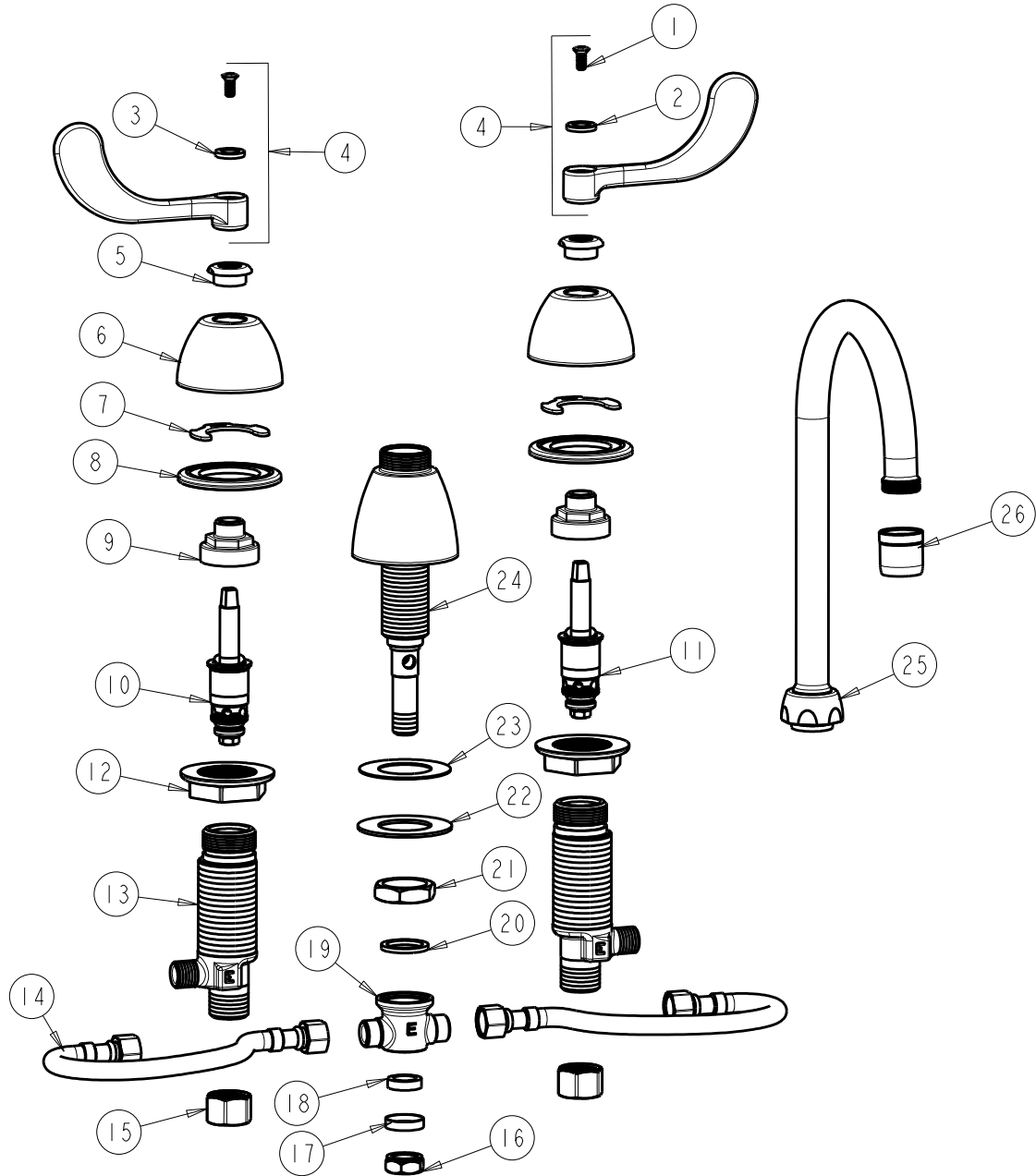
SUBMITTED MODEL NO.

BY: SID DATE: 07-06-11

CHK: REV:

ITEM NO.

FOR TECHNICAL ASSISTANCE
1-800-TEC-TRUE (1-800-832-8783)



ITEM	PART NO.	DESCRIPTION	ITEM	PART NO.	DESCRIPTION
1	420-010JKRCF	SCREW, 10-32 UNC PH 1/2	14	250-001KJKNF	HOSE, 3/8 X 3/8
2	633-123JKNF	INDEX BUTTON (BLUE)	15	49-005JKRBF	COUPLING NUT
3	633-023JKNF	INDEX BUTTON (RED)	16	689-013JKRBF	LOCKNUT FOR LAVATORY FITTINGS
4	317-PRJKCP	HANDLE, 4" WRISTBLADE (PAIR)	17	250-087JKRBF	RETAINER
5	422-113JKCP	ESCUTCHEON NUT	18	1797-029JKNF	RUBBER WASHER
6	250-082JKCP	ESCUTCHEON	19	785-123JKRBF	TEE CONNECTION
7	200-009JKNF	CLIP, RETAIN	20	250-200JKNF	GASKET
8	888-026JKNF	WASHER, SEALING	21	250-054JKRBF	LOCKNUT
9	274-014JKRBF	NUT, CAP	22	50-014JKNF	STEEL WASHER
10	377-XTLHJKNF	LH QUATURN CARTRIDGE	23	739-056JKNF	RUBBER WASHER
11	377-XTRHJKNF	RH QUATURN CARTRIDGE	24	785-202JKKCP	SPOUT BASE ASSEMBLY
12	250-004JKNF	LOCKNUT	25	GN2AJKCP	GN SPOUT-A TYPE END
13	250-075JKRBF	BODY, VALVE	26	E29JKCP	LAM-A-FLO OUTLET