

**CHICAGO FAUCETS**  
a Geberit company

2100 South Clearwater Drive  
Des Plaines, IL 60018  
Phone: 847-803-5000  
Fax: 847-803-5454  
www.chicagofaucets.com

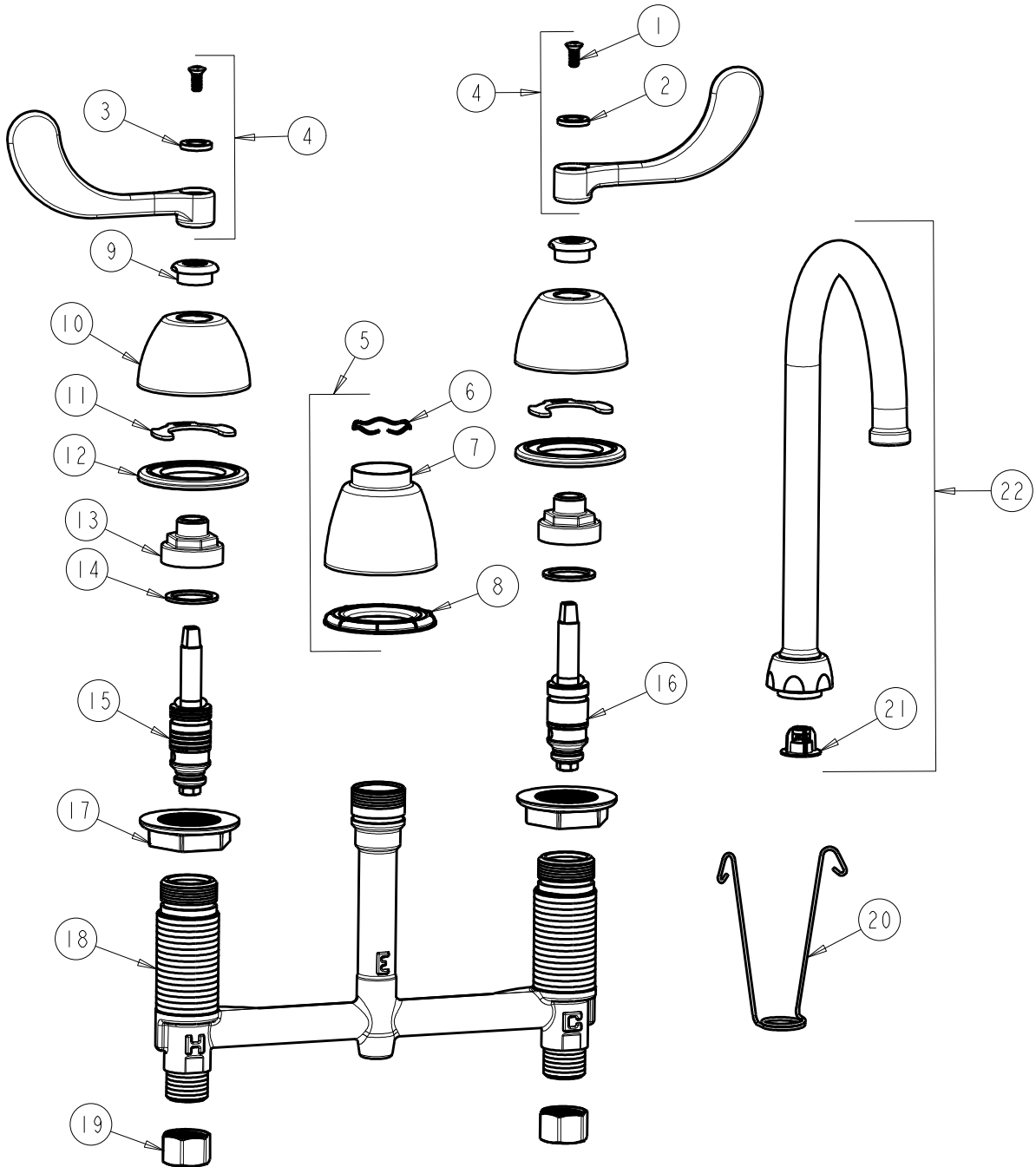
**REPAIR PARTS**

FITTING NO.  
**786-GN2FC245CP**  
SUBMITTED MODEL NO.

**FOR TECHNICAL ASSISTANCE**  
1-800-TEC-TRUE (1-800-832-8783)

BY: SID DATE: 02-18-10  
CHK: REV: 05-01-12

ITEM NO.



ITEM	PART NO.	DESCRIPTION	ITEM	PART NO.	DESCRIPTION
1	420-010JKRCF	SCREW, 10-32 UNC PH 1/2	12	888-026JKNF	WASHER, SEALING
2	633-123JKNF	INDEX BUTTON (BLUE)	13	274-014JKRBF	NUT, CAP
3	633-023JKNF	INDEX BUTTON (RED)	14	1-343JKNF	GASKET
4	317-PRJKCP	HANDLE, 4" WRISTBLADE (PAIR)	15	377-X245LHJKNF	LH QUATURN FLO-CONTROL
5	785-400JKCP	SPOUT ESCUTCHEON KIT	16	377-X245RHJKNF	RH QUATURN FLO-CONTROL
6	50-038JKNF	WAVE WASHER	17	250-004JKNF	LOCKNUT
7	785-400JKCP	ESCUTCHEON, SPOUT BASE	18	—	BODY, VALVE
8	888-027JKNF	SPOUT ESCUTCHEON WASHER	19	49-005JKRBF	COUPLING NUT
9	422-113JKCP	ESCUTCHEON NUT	20	200-008JKNF	HANGER
10	250-082JKCP	ESCUTCHEON	21	50-043KJKNF	FLOW CONTROL 1.5 GPM
11	200-009JKNF	CLIP, RETAIN	22	GN2FCJKCP	GN SPOUT PLAIN END