

**CHICAGO FAUCETS**  
a Geberit company

2100 South Clearwater Drive  
Des Plaines, IL 60018  
Phone: 847-803-5000  
Fax: 847-803-5454  
www.chicagofaucets.com

**REPAIR PARTS**

FITTING NO.

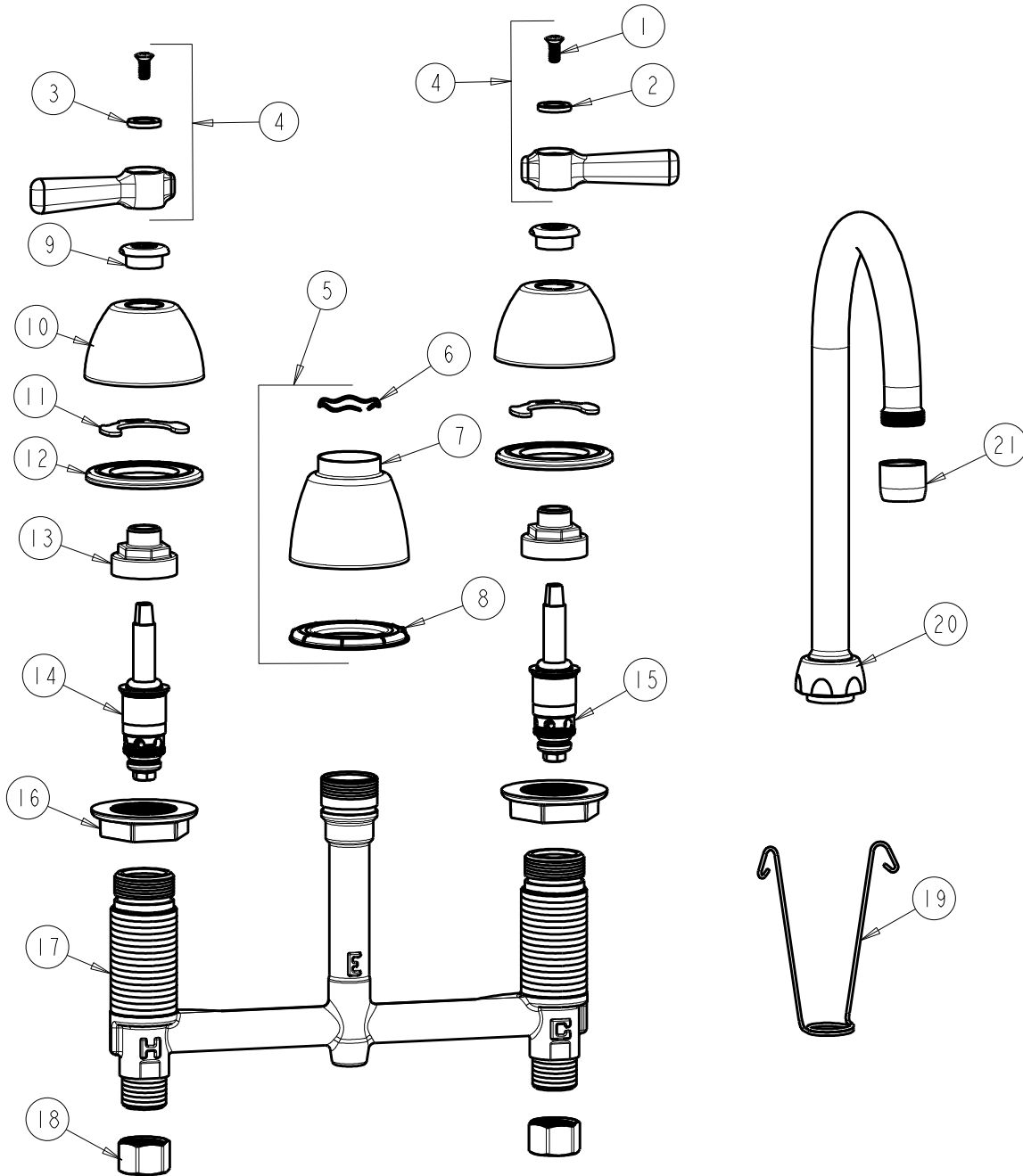
**786-E3-369CP**

SUBMITTED MODEL NO.

ITEM NO.

**FOR TECHNICAL ASSISTANCE**  
**1-800-TEC-TRUE (1-800-832-8783)**

BY: SID DATE: 10-11-02  
CHK: REV: 04-25-12



| ITEM | PART NO.     | DESCRIPTION                  | ITEM | PART NO.     | DESCRIPTION             |
|------|--------------|------------------------------|------|--------------|-------------------------|
| 1    | 420-010JKRCF | SCREW, 10-32 UNC PH 1/2      | 12   | 888-026JKNF  | WASHER, SEALING         |
| 2    | 633-123JKNF  | INDEX BUTTON (BLUE)          | 13   | 274-014JKRBF | NUT, CAP                |
| 3    | 633-023JKNF  | INDEX BUTTON (RED)           | 14   | 377-XTLHJKNF | LH QUATURN CARTRIDGE    |
| 4    | 369-PRJKCP   | LEVER HANDLE ASSEMBLY (PAIR) | 15   | 377-XTRHJKNF | RH QUATURN CARTRIDGE    |
| 5    | 785-400JKKCP | SPOUT ESCUTCHEON KIT         | 16   | 250-004JKNF  | LOCKNUT                 |
| 6    | 50-038JKNF   | WAVE WASHER                  | 17   | ----         | BODY, VALVE             |
| 7    | 785-400JKCP  | ESCUTCHEON, SPOUT BASE       | 18   | 49-005JKRBF  | COUPLING NUT            |
| 8    | 888-027JKNF  | SPOUT ESCUTCHEON WASHER      | 19   | 200-008JKNF  | HANGER                  |
| 9    | 422-113JKCP  | ESCUTCHEON NUT               | 20   | GN2AJKCP     | SPOUT                   |
| 10   | 250-082JKCP  | ESCUTCHEON                   | 21   | E3JKCP       | SOFTFLO AERATOR 2.2 GPM |
| 11   | 200-009JKNF  | CLIP, RETAIN                 |      |              |                         |