

**CHICAGO FAUCETS**  
a Geberit company

2100 South Clearwater Drive  
Des Plaines, IL 60018  
Phone: 847-803-5000  
Fax: 847-803-5454  
www.chicagofaucets.com

**REPAIR PARTS**

FITTING NO.

**772-XKCP**

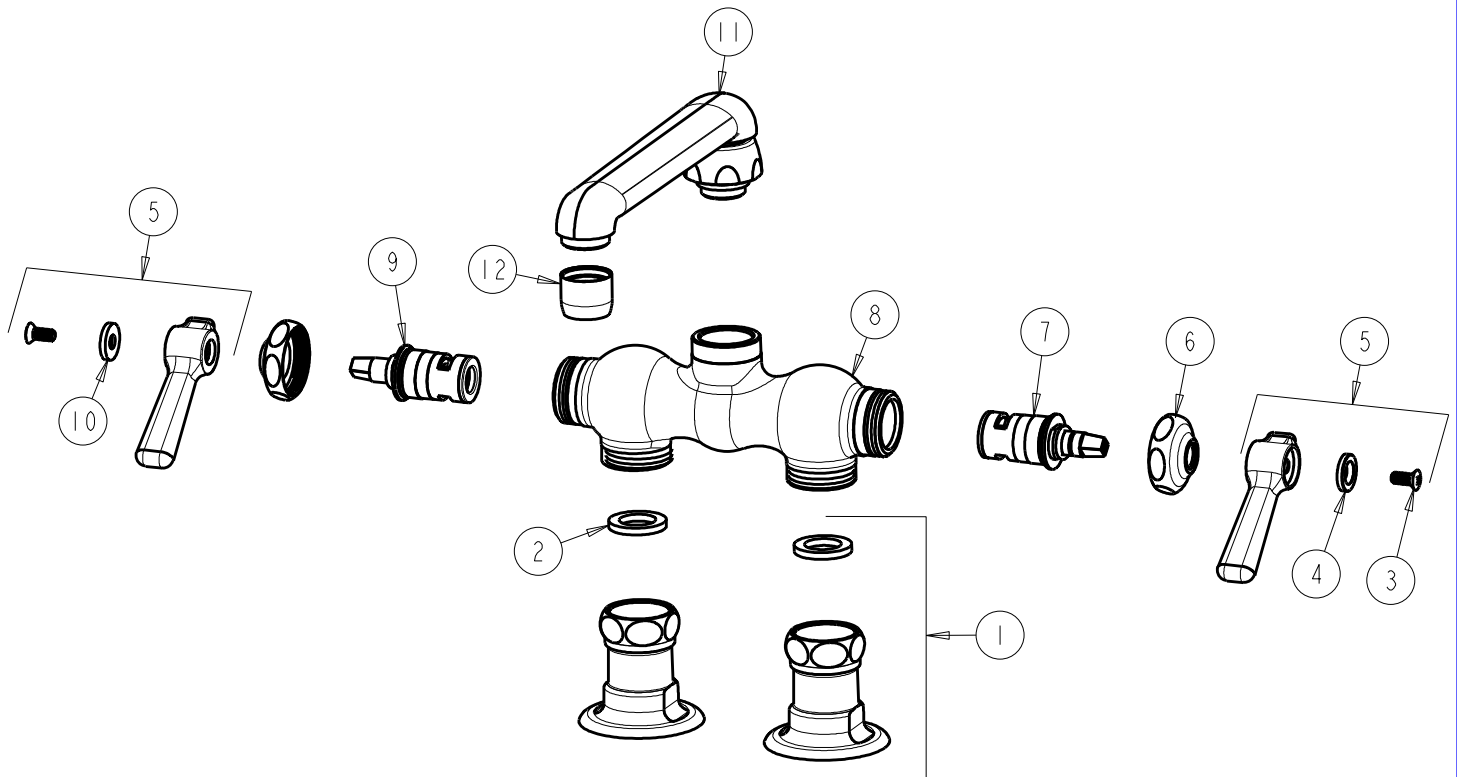
SUBMITTED MODEL NO.

ITEM NO.

**FOR TECHNICAL ASSISTANCE**  
1-800-TEC-TRUE (1-800-832-8783)

BY: JAR DATE: 10-28-11

CHK: *[Signature]* REV:



ITEM	PART NO.	DESCRIPTION	ITEM	PART NO.	DESCRIPTION
1	WJKCP	STRAIGHT SHANK ASSEMBLY	7	1-099XKJKNF	RH CERAMIC CARTRIDGE 1/4
2	1-011JKNF	WASHER, .97 X .62 X .12	8	-----	VALVE BODY (NOT SOLD SEPARATELY)
3	420-010JKRCF	SCREW, 10-32 UNC PH 1/2	9	1-100XKJKNF	LH CERAMIC CARTRIDGE 1/4
4	633-123JKNF	INDEX BUTTON (BLUE)	10	633-023JKNF	INDEX BUTTON (RED)
5	369-PRJKCP	LEVER HANDLE ASSEMBLY (PAIR)	11	S6LESSE3JKCP	SPOUT
6	1-214JKCP	CAP	12	E3JKCP	SOFTFLO AERATOR OUTLET