

PARTS LIST

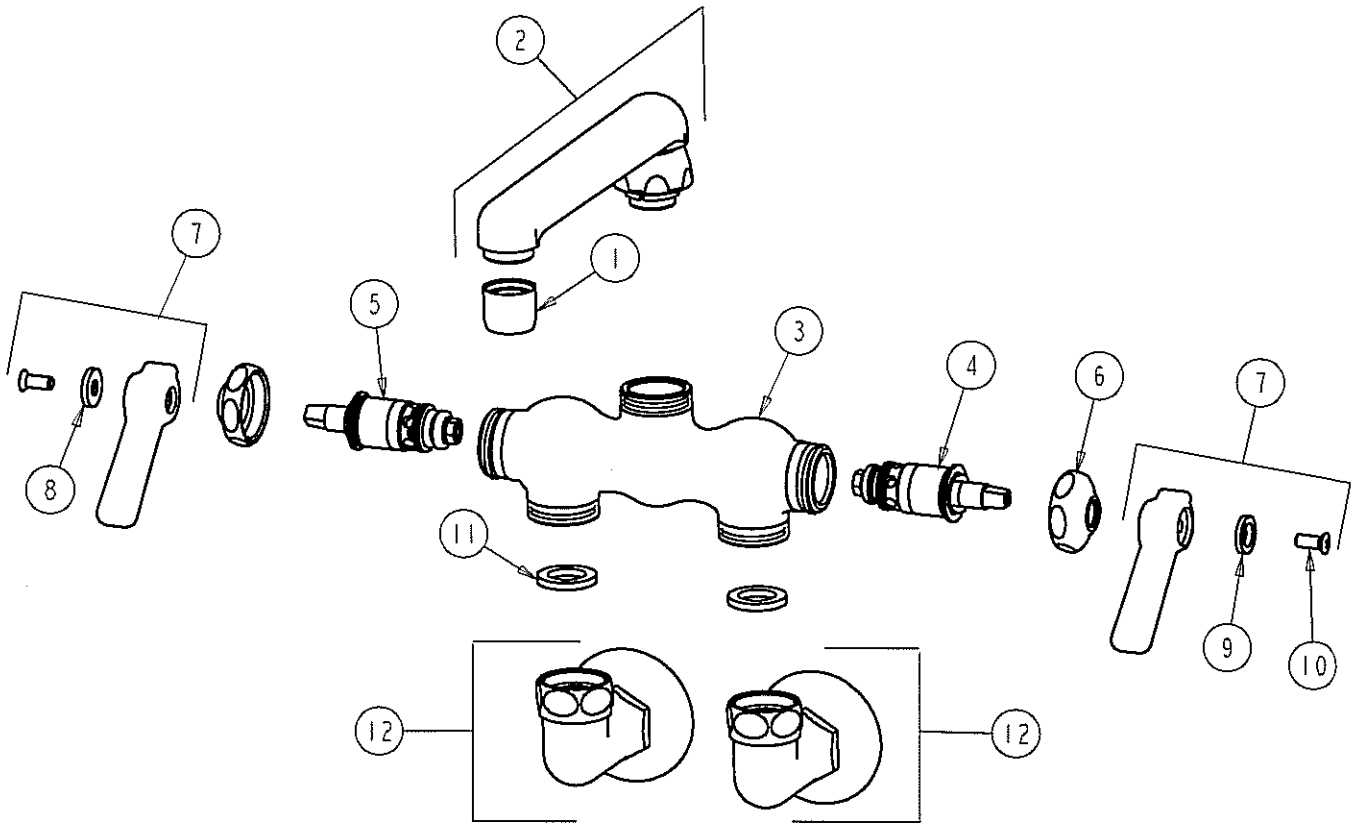
BY: SID
CHK'D: *AT*



FINISH: AS SPECIFIED
DATE: 05-26-06

772-SS

REV:



ITEM NO.	PART NO.	DESCRIPTION	ITEM NO.	PART NO.	DESCRIPTION
1	E3	SOFTFLO OUTLET	8	633-023	INDEX BUTTON (RED)
2	S6	FOR PARTS SEE S6 INCLUDES E3	9	633-123	INDEX BUTTON (BLUE)
3	-----	VALVE BODY (NOT SOLD SEPARATELY)	10	420-010	SCREW
4	1-099XT	QUATURN UNIT (RH)	11	1-011	WASHER
5	1-100XT	QUATURN UNIT (LH)	12	SS	ANGLE SHANK ASSEMBLY
6	1-214	CAP			
7	369PR	LEVER HANDLE ASSEMBLY			