



a Geberit company

2100 South Clearwater Drive
Des Plaines, IL 60018
Phone: 847-803-5000
Fax: 847-803-5454
www.chicagofaucets.com

REPAIR PARTS

BY: JAR DATE: 10-28-11

CHK: *JAR* REV:

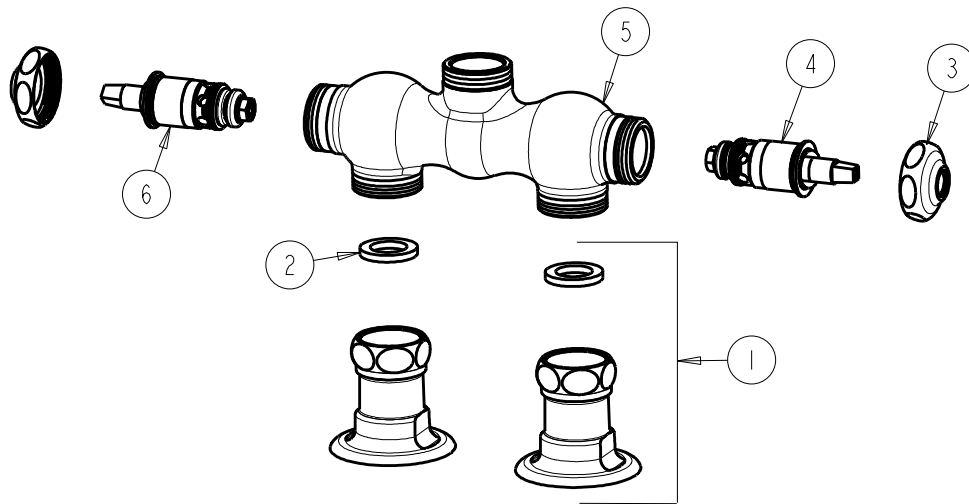
FITTING NO.

772-LESSSPTLESSHDLCP

SUBMITTED MODEL NO.

ITEM NO.

FOR TECHNICAL ASSISTANCE
1-800-TEC-TRUE (1-800-832-8783)



ITEM	PART NO.	DESCRIPTION
1	WJKCP	STRAIGHT SHANK ASSEMBLY
2	1-011JKNF	WASHER, .97 X .62 X .12
3	1-214JKCP	CAP
4	1-099XTJKNF	QUATURN CARTRIDGE (RH)
5	-----	VALVE BODY (NOT SOLD SEPARATELY)
6	1-100XTJKNF	QUATURN CARTRIDGE (LH)