

CHICAGO FAUCETS
a Geberit company

2100 South Clearwater Drive
Des Plaines, IL 60018
Phone: 847-803-5000
Fax: 847-803-5454
www.chicagofaucets.com

REPAIR PARTS

FITTING NO.

772-L8CP

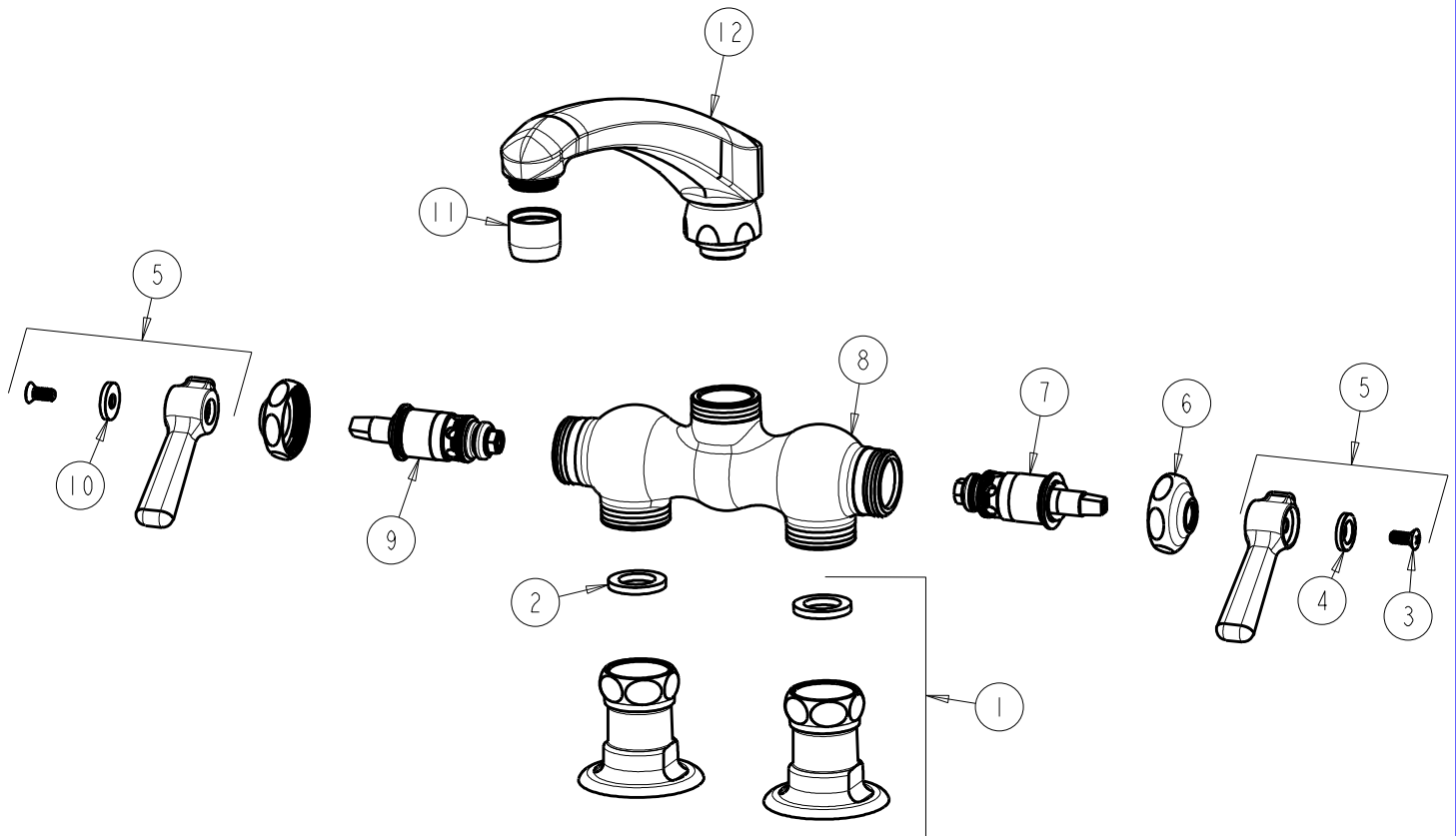
SUBMITTED MODEL NO.

ITEM NO.

BY: JAR DATE: 10-28-11

CHK: *JAR* REV:

FOR TECHNICAL ASSISTANCE
1-800-TEC-TRUE (1-800-832-8783)



ITEM	PART NO.	DESCRIPTION	ITEM	PART NO.	DESCRIPTION
1	WJKCP	STRAIGHT SHANK ASSEMBLY	7	1-099XTJKNF	QUATURN CARTRIDGE (RH)
2	1-011JKNF	WASHER, .97 X .62 X .12	8	-----	VALVE BODY (NOT SOLD SEPARATELY)
3	420-010JKRCF	SCREW, 10-32 UNC PH 1/2	9	1-100XTJKNF	QUATURN CARTRIDGE (LH)
4	633-123JKNF	INDEX BUTTON (BLUE)	10	633-023JKNF	INDEX BUTTON (RED)
5	369-PRJKCP	LEVER HANDLE ASSEMBLY (PAIR)	11	E3JKCP	SOFTFLO AERATOR OUTLET
6	1-214JKCP	CAP	12	L8LESSE3JKCP	SPOUT