

CHICAGO FAUCETS
a Geberit company

2100 South Clearwater Drive
Des Plaines, IL 60018
Phone: 847-803-5000
Fax: 847-803-5454
www.chicagofaucets.com

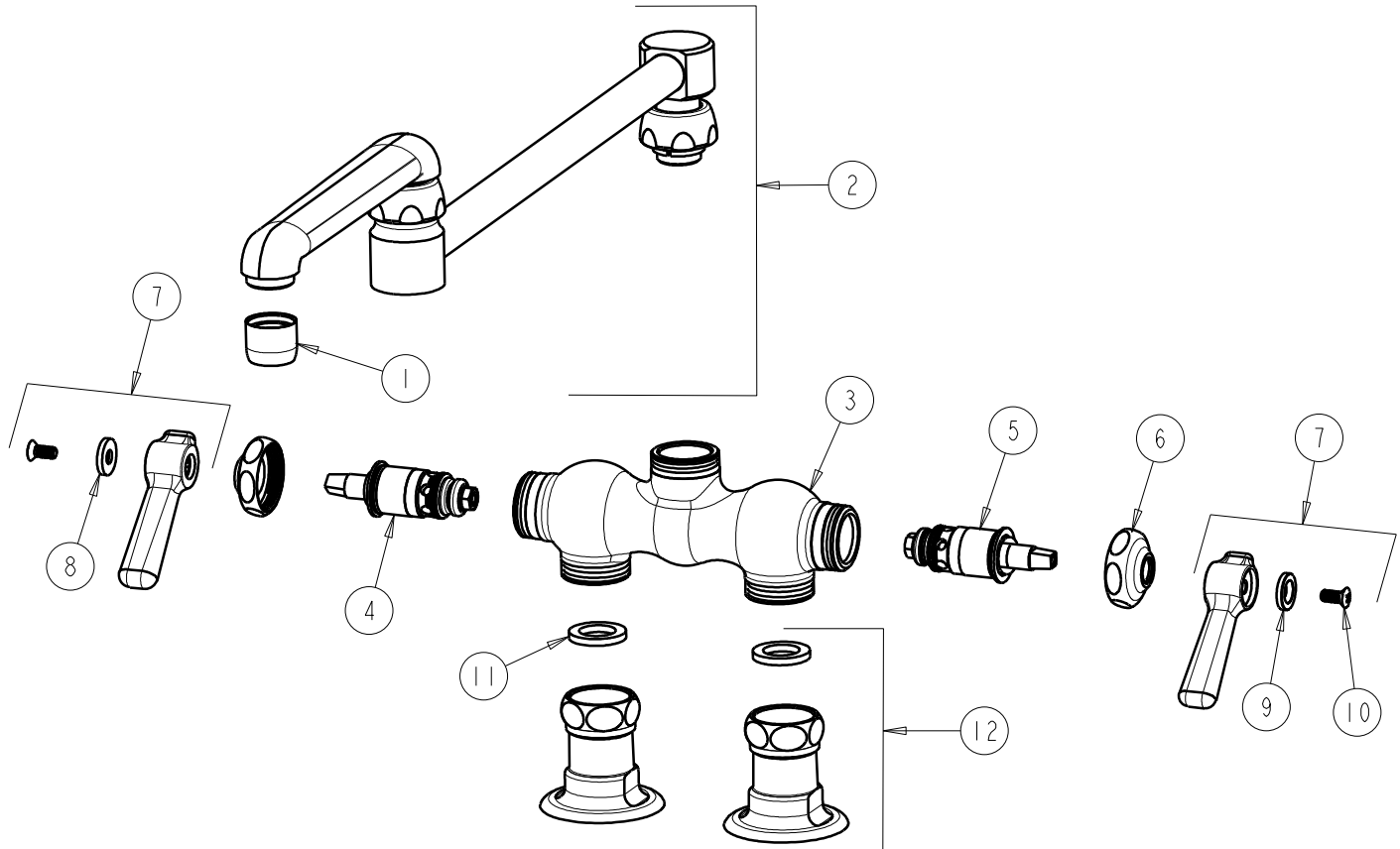
REPAIR PARTS

BY: SID DATE: 10-08-09
CHK: *[Signature]* REV:

FITTING NO.
772-DJ18CP
SUBMITTED MODEL NO.

ITEM NO.

FOR TECHNICAL ASSISTANCE
1-800-TEC-TRUE (1-800-832-8783)



ITEM	PART NO.	DESCRIPTION	ITEM	PART NO.	DESCRIPTION
1	E3JKCP	SOFTFLO AERATOR OUTLET	7	369-PRJKCP	LEVER HANDLE ASSEMBLY (PAIR)
2	DJ18JKCP	FOR PARTS SEE DJ18JKCP	8	633-023JKNF	INDEX BUTTON (RED)
3	---	VALVE BODY NOT SOLD SEPARATELY	9	633-123JKNF	INDEX BUTTON (BLUE)
4	1-100XTJKNF	QUATURN UNIT (LH)	10	420-010JKRCF	SCREW, 10-32 UNC PH 1/2
5	1-099XTJKNF	QUATURN UNIT (RH)	11	1-011JKNF	WASHER, .97 X .62 X .12
6	1-214JKCP	CAP	12	WJKCP	STRAIGHT SHANK ASSEMBLY