



a Geberit company

2100 South Clearwater Drive
Des Plaines, IL 60018
Phone: 847-803-5000
Fax: 847-803-5454
www.chicagofaucets.com

FOR TECHNICAL ASSISTANCE
1-800-TEC-TRUE (1-800-832-8783)

REPAIR PARTS

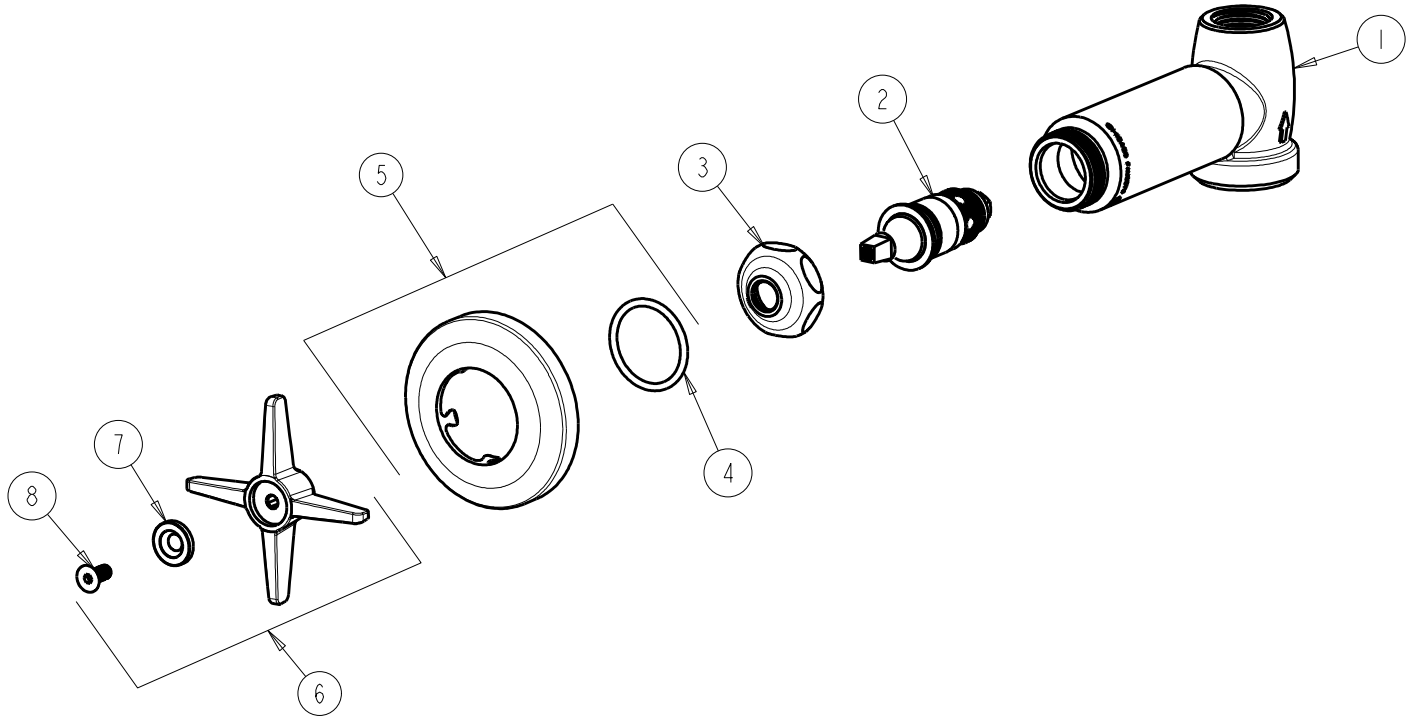
BY: SID DATE: 12-05-16
CHK: *AK* REV:

FITTING NO.

770-PLABCP

SUBMITTED MODEL NO.

ITEM NO.



ITEM	PART NO.	DESCRIPTION
1	-----	VALVE BODY (NOT SODL SEPARATELY)
2	217-XTLHJKABNF	CARTRIDGE, SLO-COMPRESSION (LH)
3	1-214JKCP	CAP
4	5235-107JKNF	O-RING
5	633-201JKCP	FLANGE & O-RING
6	633-PLJKCP	4-ARM CROSS HANDLE
7	633-223JKNF	INDEX BUTTON (WHITE)
8	420-020JKNF	SCREW, 1/8 FLAT HEX HEAD X 1/2