



a Geberit company

2100 South Clearwater Drive
Des Plaines, IL 60018
Phone: 847-803-5000
Fax: 847-803-5454
www.chicagofaucets.com

REPAIR PARTS

BY: SID DATE: 12-02-16
CHK: *AR* REV:

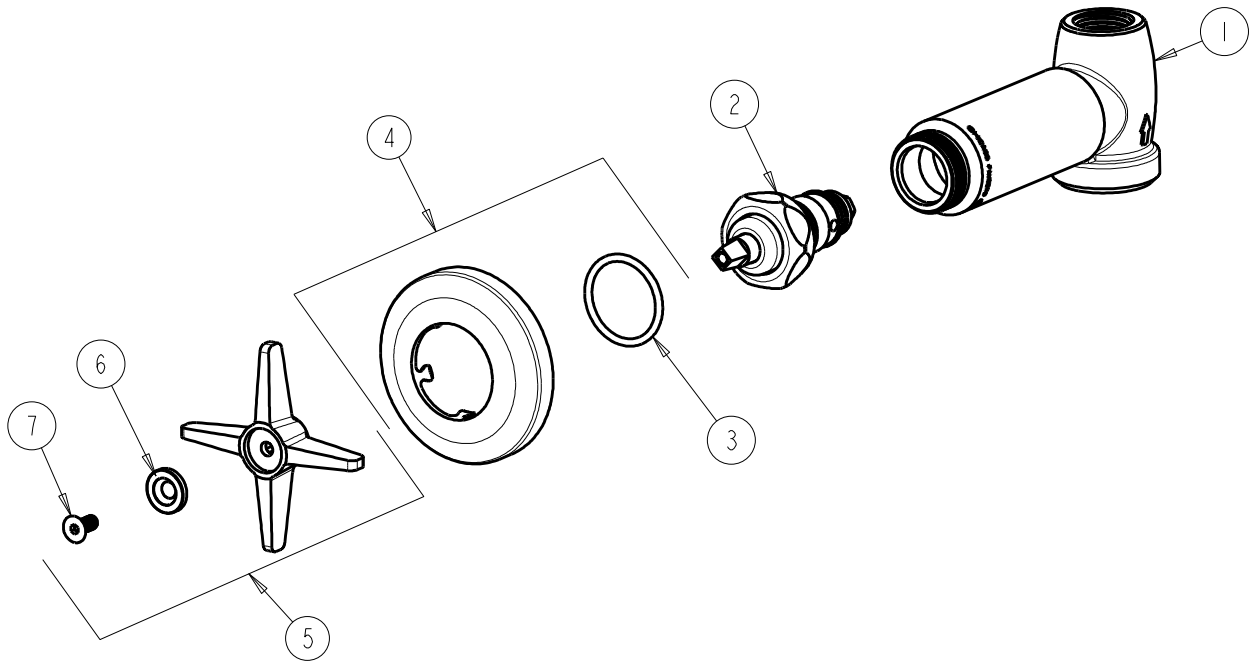
FITTING NO.

770-244COLDABCP

SUBMITTED MODEL NO.

ITEM NO.

FOR TECHNICAL ASSISTANCE
1-800-TEC-TRUE (1-800-832-8783)



ITEM	PART NO.	DESCRIPTION
1	-----	VALVE BODY (NOT SODL SEPARATELY)
2	826-XJKABNF	KLO-SELF CARTRIDGE
3	5235-107JKNF	O-RING
4	633-201JKCP	FLANGE & O-RING
5	633-COLDJKCP	4-ARM CROSS HANDLE ASSEMBLY
6	633-123JKNF	INDEX BUTTON (BLUE)
7	420-020JKNF	SCREW, 1/8 FLAT HEX HEAD X 1/2