

**CHICAGO FAUCETS**  
a Geberit company

2100 South Clearwater Drive  
Des Plaines, IL 60018  
Phone: 847-803-5000  
Fax: 847-803-5454  
www.chicagofaucets.com

**REPAIR PARTS**

BY: SID DATE: 07-19-04  
CHK: *DR* REV: 12-01-16

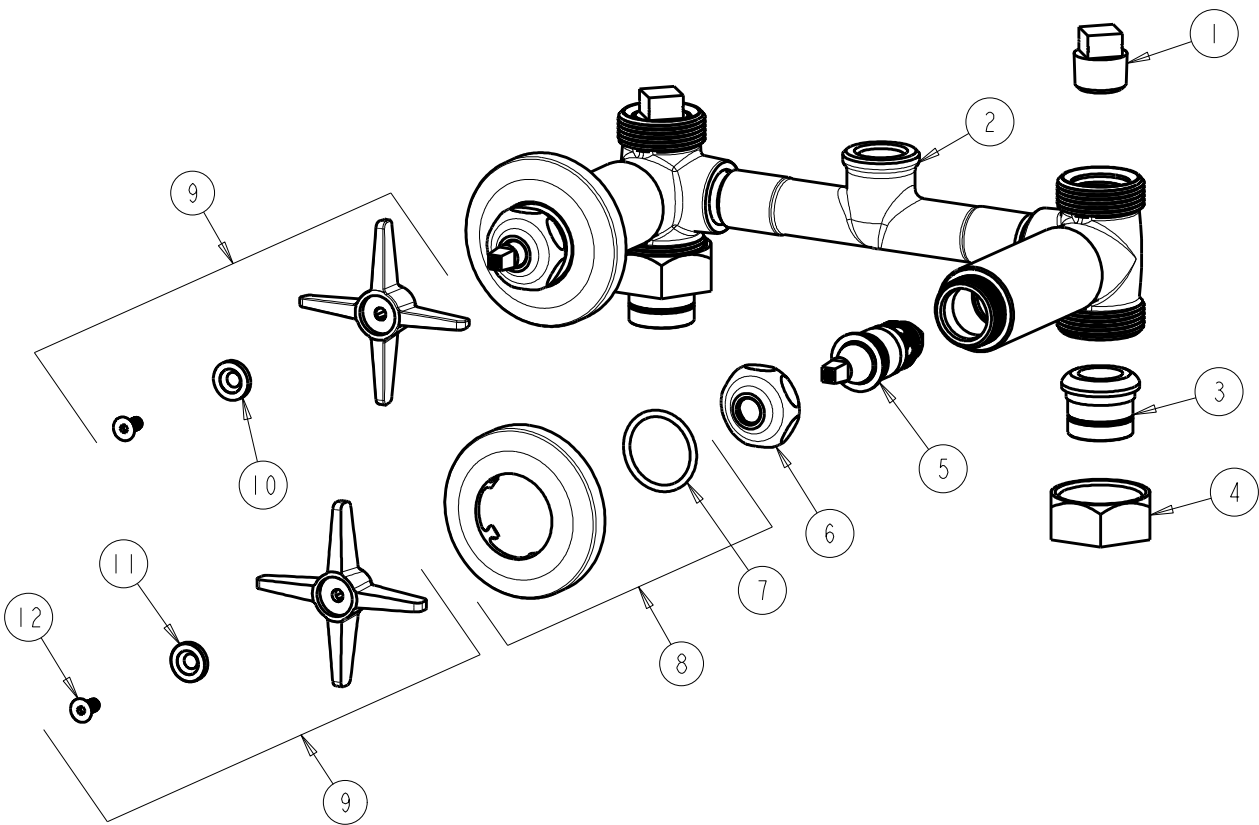
FITTING NO.

**767-VOCCP**

SUBMITTED MODEL NO.

ITEM NO.

**FOR TECHNICAL ASSISTANCE**  
1-800-TEC-TRUE (1-800-832-8783)



ITEM	PART NO.	DESCRIPTION	ITEM	PART NO.	DESCRIPTION
1	234-032JKABRCF	1/2 NPT PLUG	7	5235-107JKNF	O-RING
2	-----	VALVE BODY (NOT SOLD SEPARATELY)	8	633-201JKCP	FLANGE & O-RING
3	177-003JKABRBF	UNION TAILPIECE	9	633-PRJKCP	4-ARM HANDLE ASSEMBLY
4	177-002JKCP	UNION NUT	10	633-023JKNF	INDEX BUTTON (RED)
5	217-XTLHJKABNF	CARTRIDGE, SLO-COMPRESSION (LH)	11	633-123JKNF	INDEX BUTTON (BLUE)
6	1-214JKCP	CAP	12	420-020JKNF	SCREW, 1/8 FLAT HEX HEAD X 1/2