

CHICAGO FAUCETS
a Geberit company

2100 South Clearwater Drive
Des Plaines, IL 60018
Phone: 847-803-5000
Fax: 847-803-5454
www.chicagofaucets.com

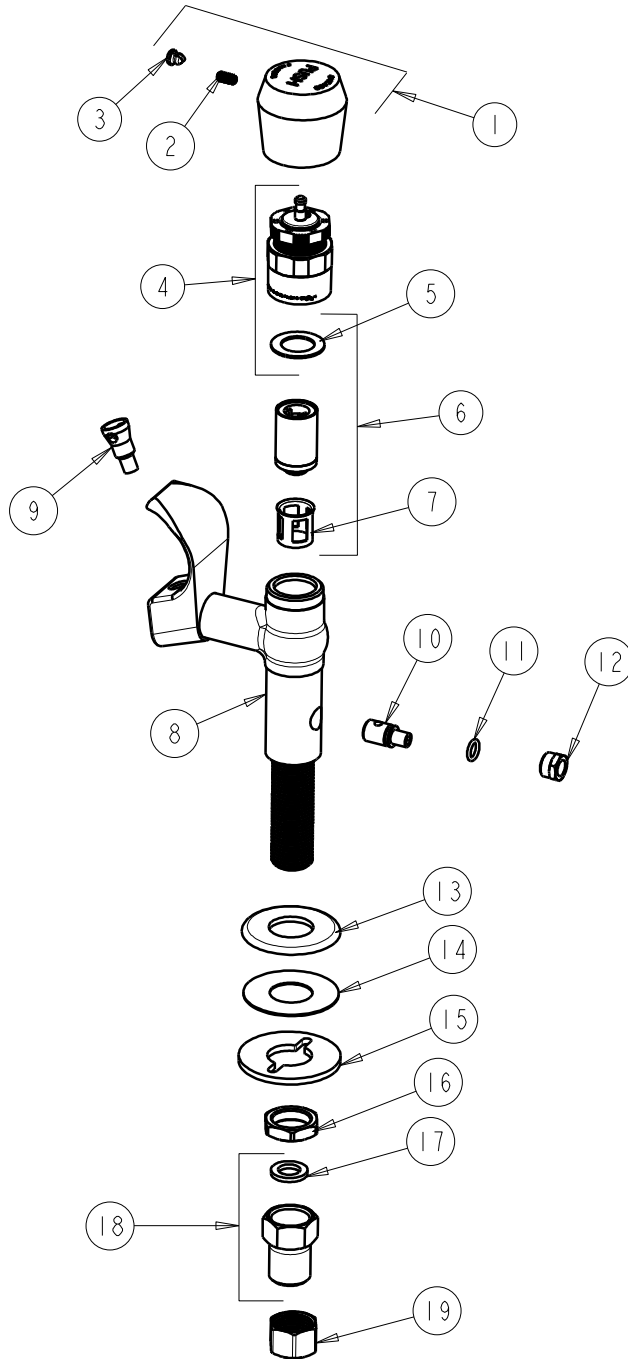
REPAIR PARTS

BY: SID DATE: 01-11-07
CHK: [Signature] REV: 04-13-09

FITTING NO.
748-665TBCP
SUBMITTED MODEL NO.

FOR TECHNICAL ASSISTANCE
1-800-TEC-TRUE (1-800-832-8783)

ITEM NO.



ITEM	PART NO.	DESCRIPTION	ITEM	PART NO.	DESCRIPTION
1	665-PSHJKCP	HANDLE, PUSH CAP	11	319-040JKNF	O-RING
2	665-116JKNF	SET SCREW	12	722-012JKRCF	FLOW CONTROL NUT
3	665-309KJKNF	BUTTONS, HOT AND COLD	13	417-019JKCP	FLANGE, 1.94 X .88 X .11
4	665-190KJKNF	ACTUATOR ASSEMBLY	14	52-007JKNF	WASHER, RUBBER
5	665-011JKNF	WASHER, SEALING	15	807-112JKNF	WASHER
6	672-XJKNF	MVP CARTRIDGE	16	49-004JKRBF	LOCKNUT
7	667-402JKNF	MVP FILTER	17	1001-002JKNF	GASKET
8	---	BODY VALVE NOT SOLD SEPARATELY	18	722-013JKRBF	ADAPTER, FLOW CONTROL
9	653-008JKCP	NOZZLE	19	49-005JKRBF	COUPLING NUT
10	722-011JKRCF	FLOW CONTROL			