



a Geberit company

2100 South Clearwater Drive
Des Plaines, IL 60018
Phone: 847-803-5000
Fax: 847-803-5454
www.chicagofaucets.com

FOR TECHNICAL ASSISTANCE
1-800-TEC-TRUE (1-800-832-8783)

REPAIR PARTS

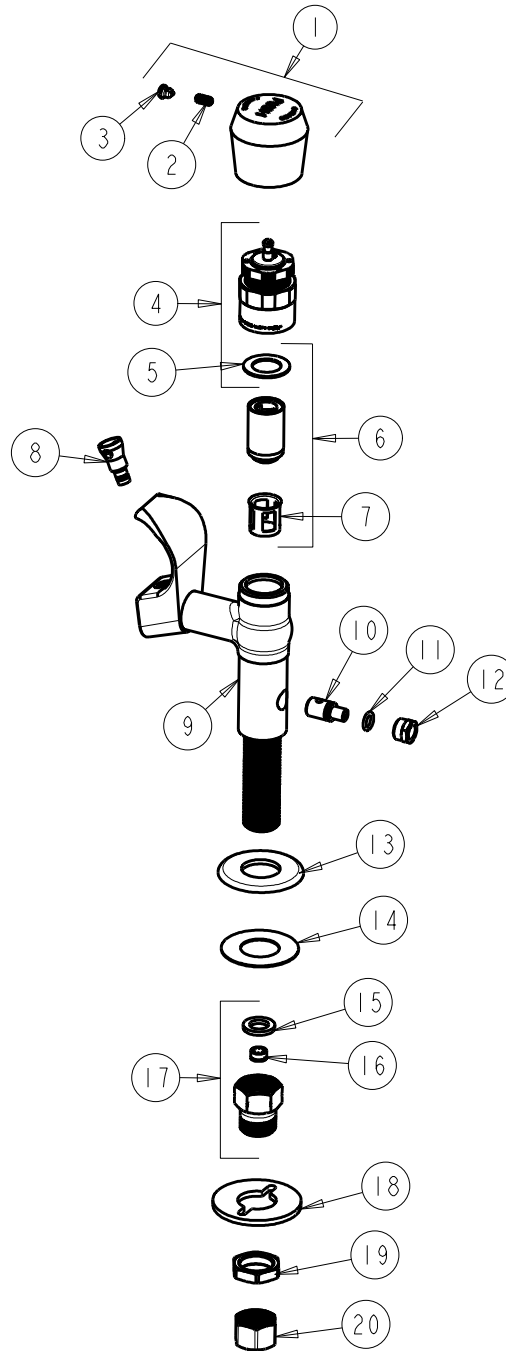
BY: JAR DATE: 08-06-14
CHK: *[Signature]* REV:

FITTING NO.

748-665TBABCP

SUBMITTED MODEL NO.

ITEM NO.



ITEM	PART NO.	DESCRIPTION	ITEM	PART NO.	DESCRIPTION
1	665-PSHJKCP	HANDLE, PUSH CAP	11	319-040JKABNF	O-RING
2	665-116JKNF	SET SCREW	12	722-012JKRCF	FLOW CONTROL NUT
3	665-309KJKNF	BUTTONS, HOT AND COLD	13	417-019JKCP	FLANGE, 1.94 X .88 X .11
4	665-190KJKABNF	ACTUATOR ASSEMBLY	14	333-103JKNF	RUBBER WASHER
5	665-011JKABNF	WASHER, SEALING	15	1001-002JKABNF	GASKET
6	672-XJKABNF	METERING CARTRIDGE, LESS PIN	16	1020-004JKABNF	FLOW CONTROL 0.74 GPM MAX
7	667-402JKABNF	MVP FILTER	17	722-015JKABRBF	ADAPTER, FLOW CONTROL 0.74GPM
8	653-008JKABCP	NOZZLE	18	807-112JKNF	WASHER
9	-----	BODY VALVE (NOT SOLD SEPARATELY)	19	49-004JKRBF	LOCKNUT
10	722-011JKABRCF	FLOW CONTROL	20	49-005JKRBF	COUPLING NUT