

CHICAGO FAUCETS
a Geberit company

2100 South Clearwater Drive
Des Plaines, IL 60018
Phone: 847-803-5000
Fax: 847-803-5454
www.chicagofaucets.com

REPAIR PARTS

FITTING NO.

709-CP

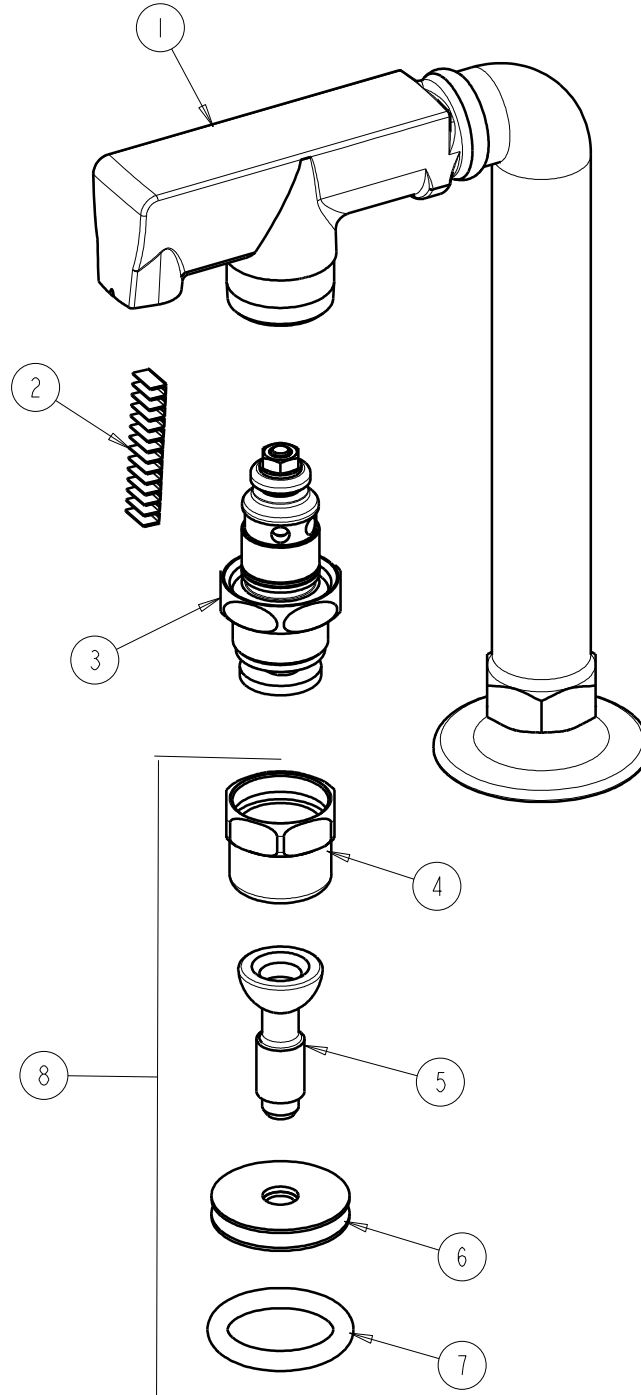
SUBMITTED MODEL NO.

ITEM NO.

BY: SID DATE: 03-02-10

CHK: REV:

FOR TECHNICAL ASSISTANCE
1-800-TEC-TRUE (1-800-832-8783)



ITEM	PART NO.	DESCRIPTION	ITEM	PART NO.	DESCRIPTION
1	—	VALVE BODY NOT SOLD SEPARATELY	5	313-036JKCP	HANDLE
2	1-171JKRBF	ANTI-SPLASH SPRING	6	313-002JKCP	DISC
3	386-LDPXJKNF	GLASS FILLER CARTRIDGE	7	313-040JKNF	RING
4	386-005JKCP	BONNET	8	313-036KJKCP	HANDLE ASSEMBLY