



a Geberit company

2100 South Clearwater Drive
Des Plaines, IL 60018
Phone: 847-803-5000
Fax: 847-803-5454
www.chicagofaucets.com

REPAIR PARTS

BY: SID DATE: 06-29-09
CHK: *[Signature]* REV:

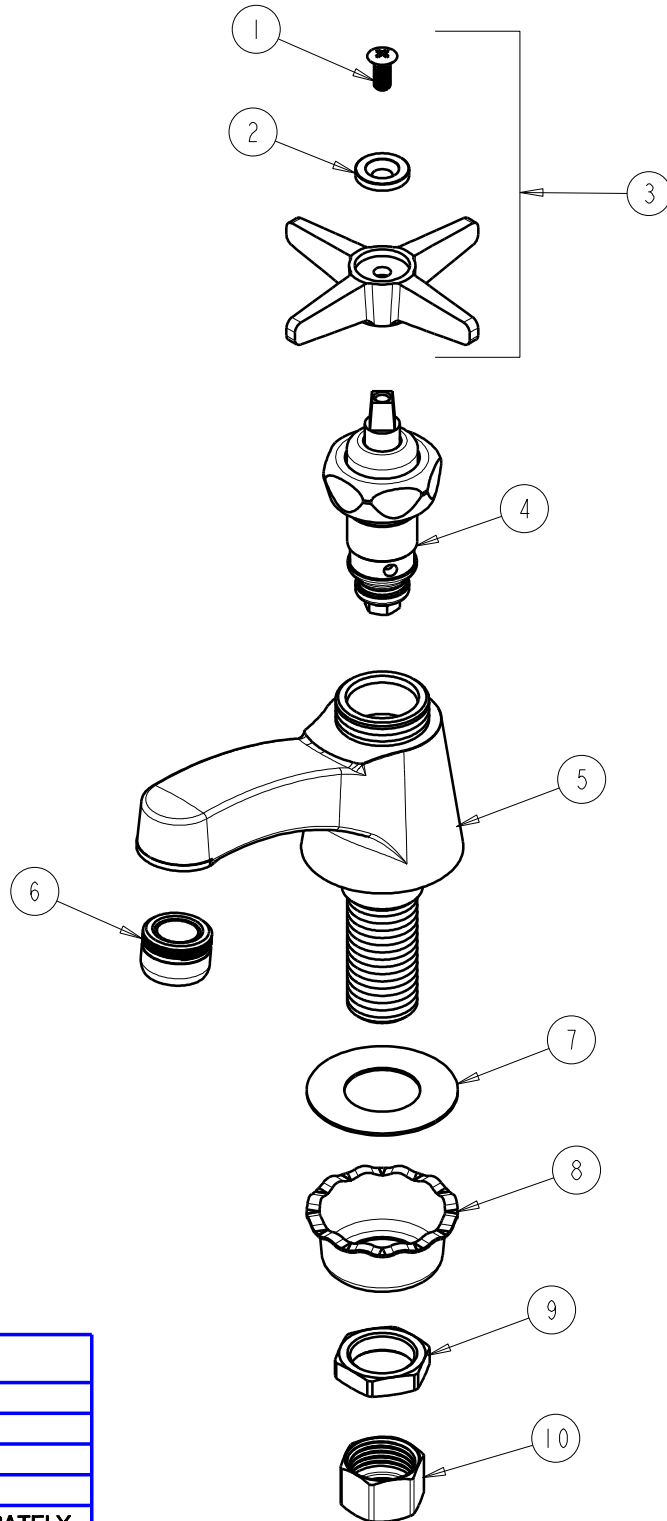
FITTING NO.

701-PLCP

SUBMITTED MODEL NO.

ITEM NO.

FOR TECHNICAL ASSISTANCE
1-800-TEC-TRUE (1-800-832-8783)



ITEM	PART NO.	DESCRIPTION
1	420-010JKRCF	SCREW, 10-32 UNC PH 1/2
2	633-223JKNF	INDEX BUTTON (WHITE)
3	633-PLJKCP	4-ARM CROSS HANDLE
4	826-XJKNF	KLO-SELF CARTRIDGE
5	-----	VALVE BODY, NOT SILD SEPARATELY
6	E12JKCP	SOFTFLO OUTLET
7	333-103JKNF	RUBBER WASHER
8	1797-114JKNF	BASIN COCK WASHER
9	49-004JKRBF	LOCKNUT
10	49-005JKRBF	COUPLING NUT