



a Geberit company

2100 South Clearwater Drive  
Des Plaines, IL 60018  
Phone: 847-803-5000  
Fax: 847-803-5454  
www.chicagofaucets.com

**FOR TECHNICAL ASSISTANCE**  
1-800-TEC-TRUE (1-800-832-8783)

# REPAIR PARTS

BY: SID      DATE: 06-22-09

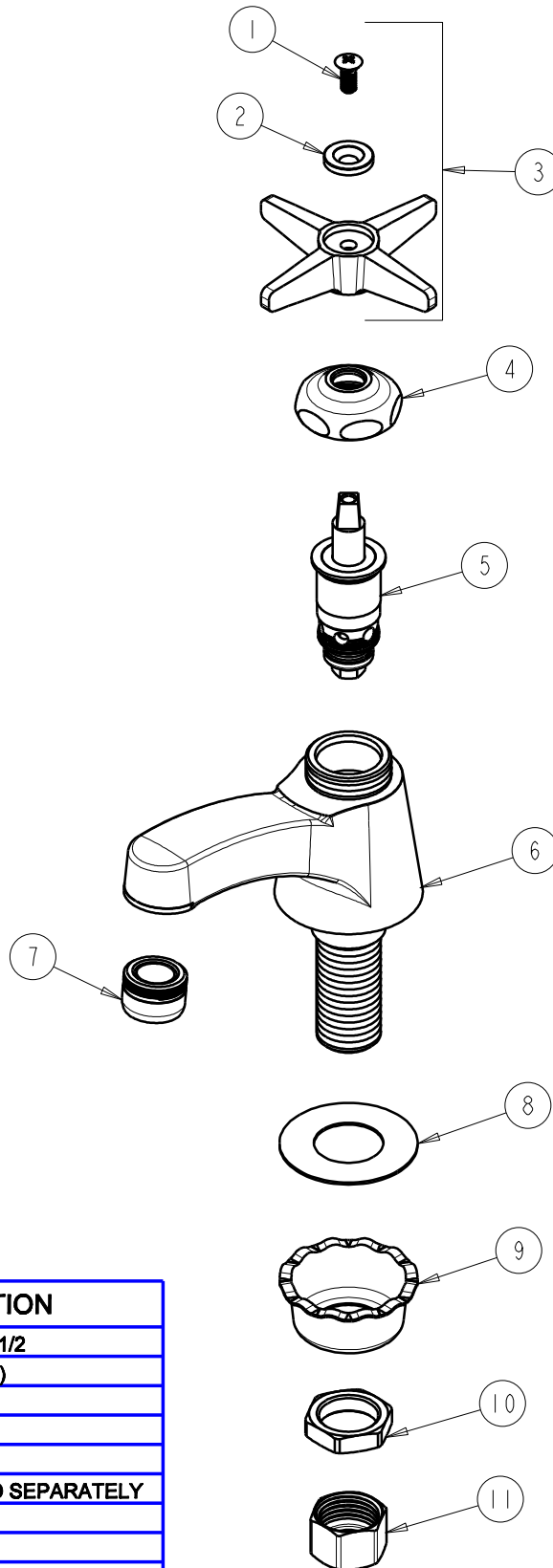
CHK: *[Signature]*      REV:

FITTING NO.

**700-PLCP**

SUBMITTED MODEL NO.

ITEM NO.



ITEM	PART NO.	DESCRIPTION
1	420-010JKRCF	SCREW, 10-32 UNC PH 1/2
2	633-223JKNF	INDEX BUTTON (WHITE)
3	633-PLJKCP	4-ARM CROSS HANDLE
4	1-214JKCP	CAP
5	1-100XTJKNF	QUATURN UNIT (LH)
6	---	VALVE BODY, NOT SILD SEPARATELY
7	E12JKCP	SOFTFLO OUTLET
8	333-103JKNF	RUBBER WASHER
9	1797-114JKNF	BASIN COCK WASHER
10	49-004JKRBF	LOCKNUT
11	49-005JKRBF	COUPLING NUT