

**CHICAGO FAUCETS**  
a Geberit company

2100 South Clearwater Drive  
Des Plaines, IL 60018  
Phone: 847-803-5000  
Fax: 847-803-5454  
www.chicagofaucets.com

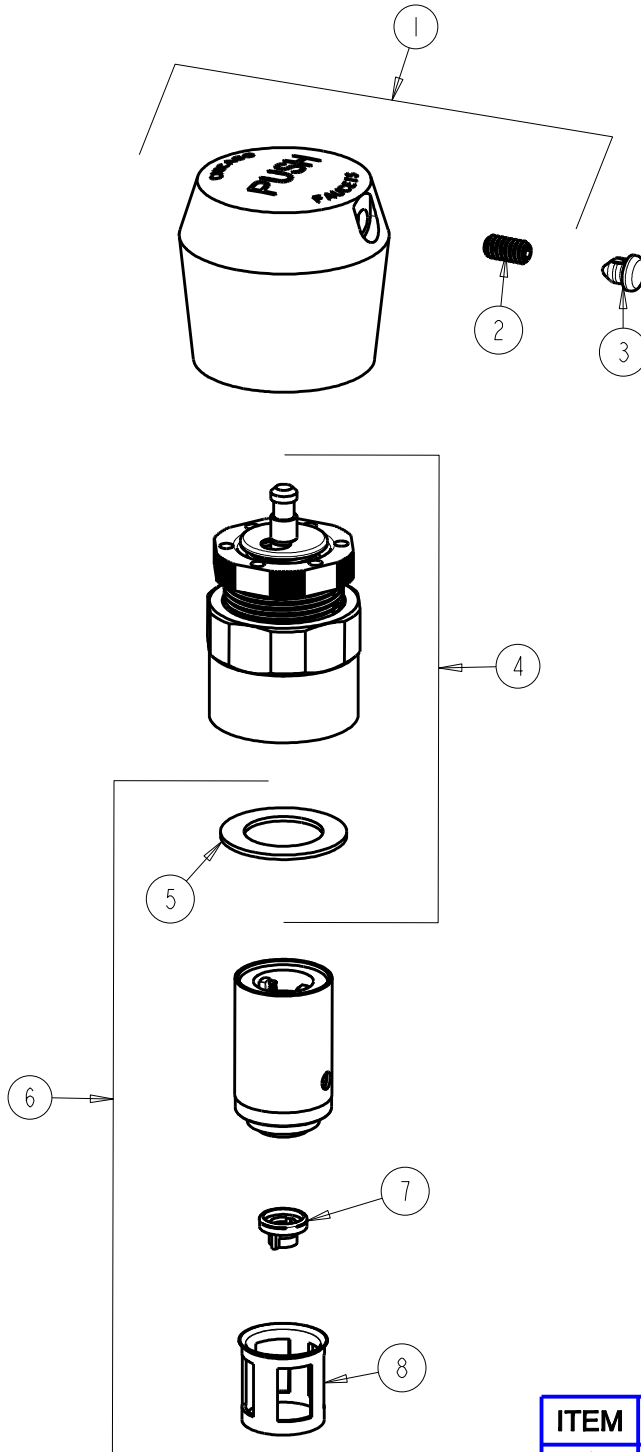
# REPAIR PARTS

BY: JAR      DATE: 06-06-11  
CHK: *[Signature]*      REV:

FITTING NO.  
**665-RKHCP**  
SUBMITTED MODEL NO.

ITEM NO.

**FOR TECHNICAL ASSISTANCE**  
1-800-TEC-TRUE (1-800-832-8783)



ITEM	PART NO.	DESCRIPTION
1	665-PSHJKCP	HANDLE, PUSH CAP
2	665-116JKNF	SET SCREW
3	665-309KJKNF	BUTTONS, HOT AND COLD
4	665-190KJKNF	ACTUATOR ASSEMBLY
5	665-011JKNF	WASHER, SEALING
6	671-XJKNF	METERING VALVE CARTRIDGE
7	667-202JKNF	MVP FILTER, PILOT VALVE
8	667-402JKNF	MVP FILTER