

CHICAGO FAUCETS
a Geberit company

2100 South Clearwater Drive
Des Plaines, IL 60018
Phone: 847-803-5000
Fax: 847-803-5454
www.chicagofaucets.com

REPAIR PARTS

FITTING NO.

65-261LESS261RCF

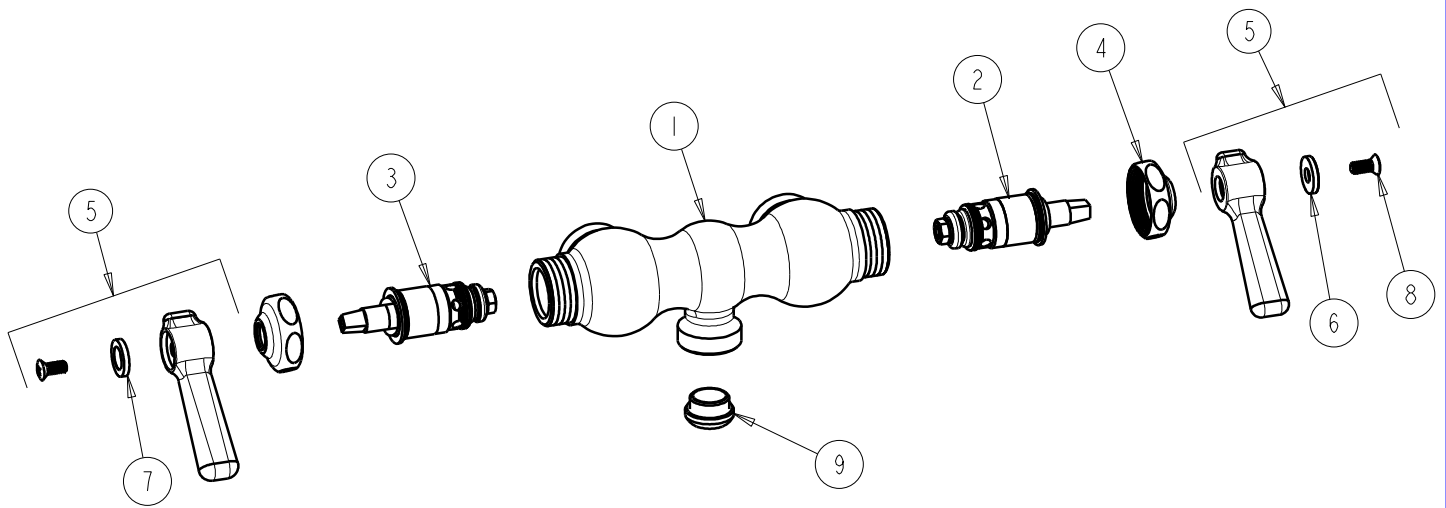
SUBMITTED MODEL NO.

ITEM NO.

FOR TECHNICAL ASSISTANCE
1-800-TEC-TRUE (1-800-832-8783)

BY: SID DATE: 05-29-09

CHK: *[Signature]* REV:



ITEM	PART NO.	DESCRIPTION
1	---	BODY VALVE (NOT SOLD SEPARATELY)
2	1-099XTJKNF	QUATURN UNIT (RH)
3	1-100XTJKNF	QUATURN UNIT (LH)
4	1-214JKCP	CAP
5	369-PRJKCP	LEVER HANDLE ASSEMBLY (PAIR)
6	633-123JKNF	INDEX BUTTON (BLUE)
7	633-023JKNF	INDEX BUTTON (RED)
8	420-010JKRCF	SCREW, 10-32 UNC PH 1/2
9	E1MJKRCF	QUIXTOP OUTLET