

**CHICAGO FAUCETS**  
a Geberit company

2100 South Clearwater Drive  
Des Plaines, IL 60018  
Phone: 847-803-5000  
Fax: 847-803-5454  
www.chicagofaucets.com

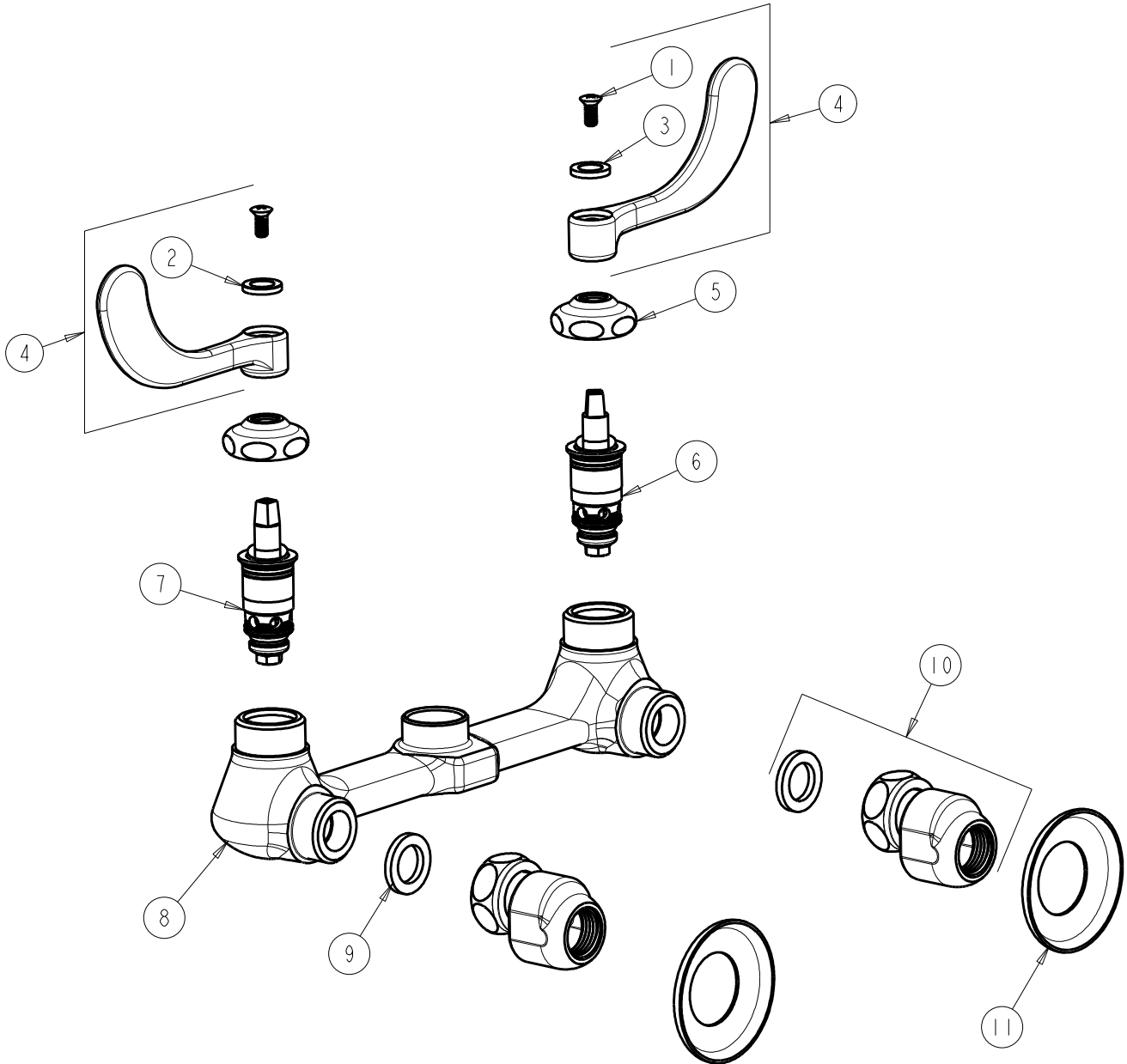
**REPAIR PARTS**

BY: SID DATE: 10-04-11  
CHK: *[Signature]* REV:

FITTING NO.  
**631-LESSSPTABCP**  
SUBMITTED MODEL NO.

**FOR TECHNICAL ASSISTANCE**  
1-800-TEC-TRUE (1-800-832-8783)

ITEM NO.



ITEM	PART NO.	DESCRIPTION	ITEM	PART NO.	DESCRIPTION
1	420-010JKRCF	SCREW, 10-32 UNC PH 1/2	7	1-099XTJKABNF	QUATURN CARTRIDGE (RH)
2	633-123JKNF	INDEX BUTTON (BLUE)	8	---	VALVE BODY (NOT SOLD SEPARATELY)
3	633-023JKNF	INDEX BUTTON (RED)	9	1-011JKNF	WASHER, .97 X .62 X .12
4	317-PRJKCP	HANDLE, 4" WRISTBLADE (PAIR)	10	GJKABCP	ARM ASSEMBLY w/WASHER
5	1-214JKCP	CAP	11	1-055JKCP	FLANGE
6	1-100XTJKABNF	QUATURN UNIT (LH)			