

CHICAGO FAUCETS
a Geberit company

2100 South Clearwater Drive
Des Plaines, IL 60018
Phone: 847-803-5000
Fax: 847-803-5454
www.chicagofaucets.com

REPAIR PARTS

FITTING NO.

631-L12CP

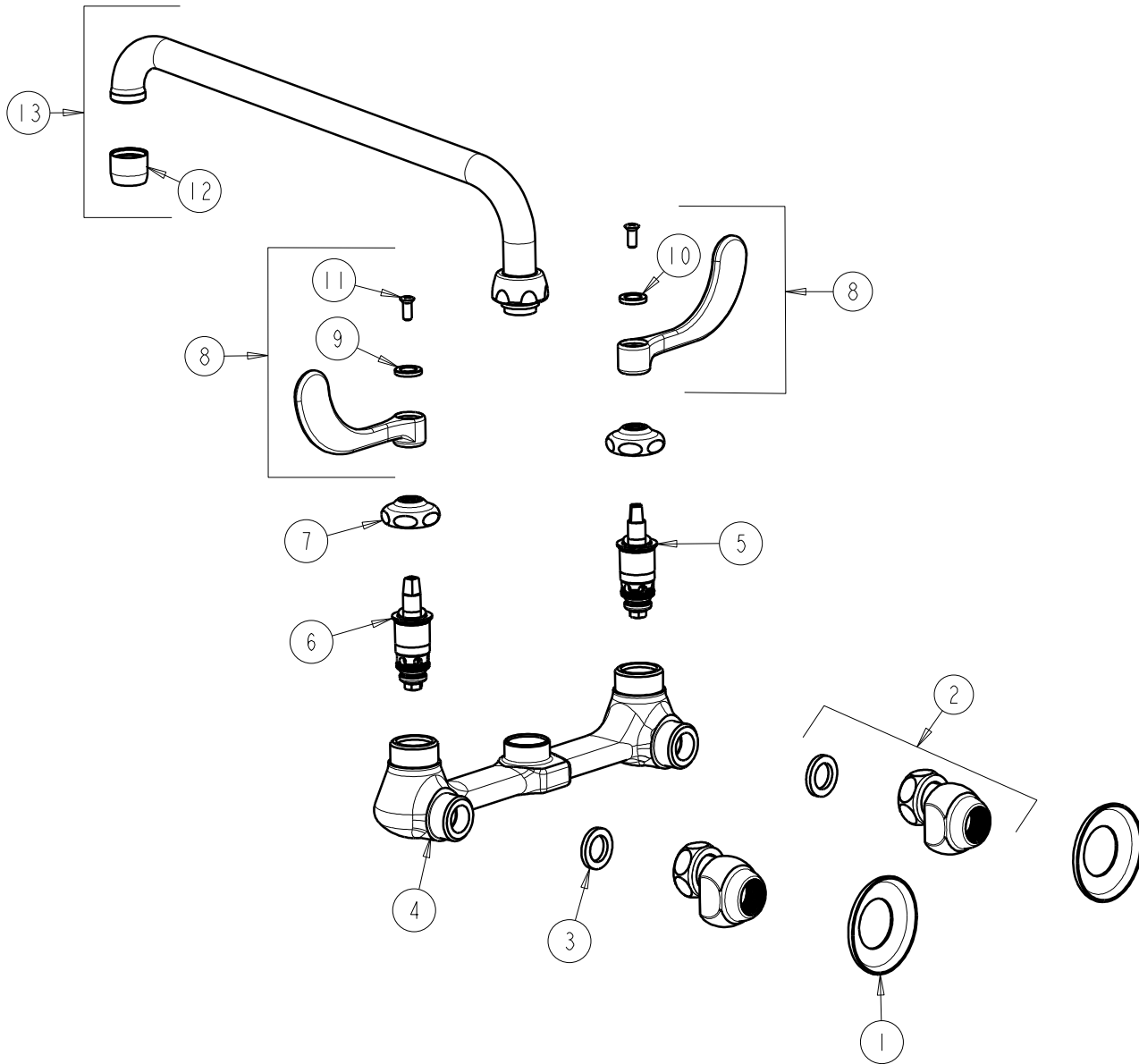
SUBMITTED MODEL NO.

ITEM NO.

BY: JAR DATE: 05-11-09

CHK: REV:

FOR TECHNICAL ASSISTANCE
1-800-TEC-TRUE (1-800-832-8783)



ITEM	PART NO.	DESCRIPTION
1	1-055JKCP	FLANGE
2	GJKCP	'G' ARM (INCLUDES WASHER)
3	1-011JKNF	WASHER, .97 X .62 X .12
4	-----	VALVE BODY (NOT SOLD SEPARATELY)
5	1-100XTJKNF	QUATURN UNIT (LH)
6	1-099XTJKNF	QUATURN UNIT (RH)
7	1-214JKCP	CAP
8	317-PRJKCP	HANDLE, 4" WRISTBLADE (PAIR)
9	633-123JKNF	INDEX BUTTON (BLUE)
10	633-023JKNF	INDEX BUTTON (RED)
11	420-010JKRCF	SCREW, 10-32 UNC PH 1/2
12	E3JKCP	SOFTFLO AERATOR
13	L12JKCP	FOR PARTS SEE L12JKCP