

CHICAGO FAUCETS
a Geberit company

2100 South Clearwater Drive
Des Plaines, IL 60018
Phone: 847-803-5000
Fax: 847-803-5454
www.chicagofaucets.com

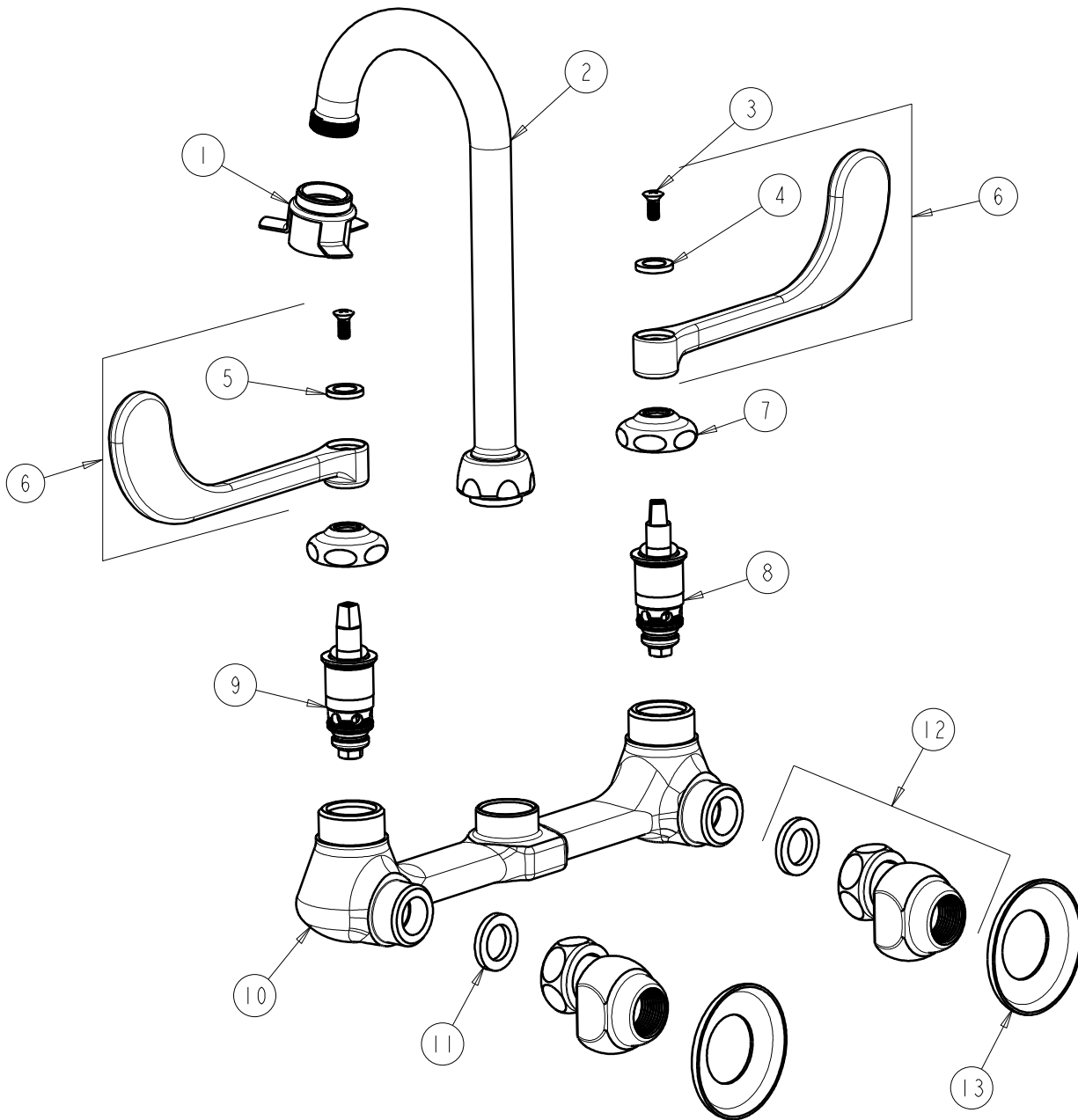
REPAIR PARTS

FITTING NO.
631-E19-319CP
SUBMITTED MODEL NO.

FOR TECHNICAL ASSISTANCE
1-800-TEC-TRUE (1-800-832-8783)

BY: SID DATE: 11-28-95
CHK: [Signature] REV: 12-17-09

ITEM NO.



ITEM	PART NO.	DESCRIPTION	ITEM	PART NO.	DESCRIPTION
1	E19JKCP	V.R. SOFTFLO AERATOR	8	1-100XTJKNF	QUATURN UNIT (LH)
2	GN1AJKCP	FOR PARTS SEE GN1AJKCP	9	1-099XTJKNF	QUATURN UNIT (RH)
3	420-010JKRCF	SCREW, 10-32 UNC PH 1/2	10	-----	VALVE BODY (NOT SOLD SEPARATELY)
4	633-023JKNF	INDEX BUTTON (RED)	11	1-011JKNF	WASHER, .97 X .62 X .12
5	633-123JKNF	INDEX BUTTON (BLUE)	12	GJKCP	'G' ARM (INCLUDES WASHER)
6	319-PRJKCP	WRISTBLADE HANDLE (PAIR)	13	1-055JKCP	FLANGE
7	1-214JKCP	CAP			