

CHICAGO FAUCETS
a Geberit company

2100 South Clearwater Drive
Des Plaines, IL 60018
Phone: 847-803-5000
Fax: 847-803-5454
www.chicagofaucets.com

REPAIR PARTS

FITTING NO.

629-E3CP

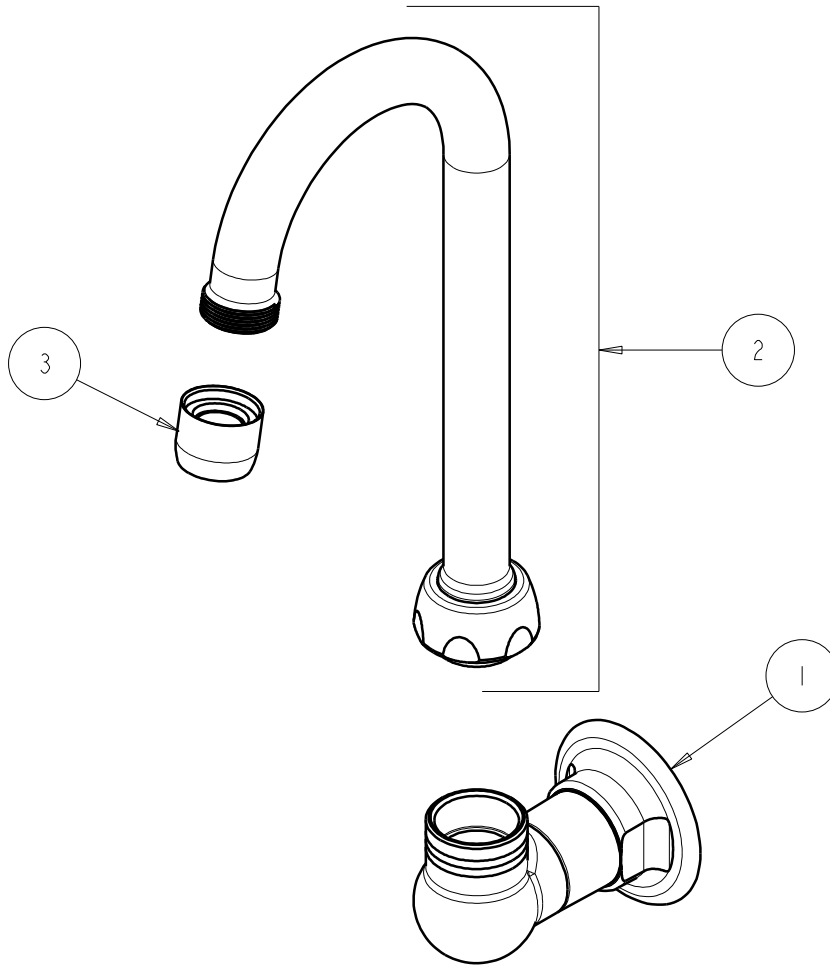
SUBMITTED MODEL NO.

ITEM NO.

BY: SID DATE: 09-14-01

CHK: *[Signature]* REV: 04-27-09

FOR TECHNICAL ASSISTANCE
1-800-TEC-TRUE (1-800-832-8783)



ITEM	PART NO.	DESCRIPTION
1	629-LESSSPTCP	SINGLE WATER INLET FITTING
2	GN1AE3JKCP	FOR PARTS SEE GN1AE3JKCP
3	E3JKCP	SOFTFLO AERATOR OUTLET